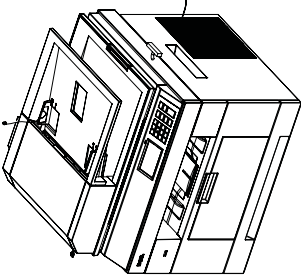
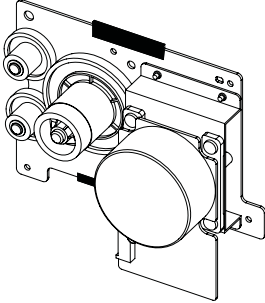
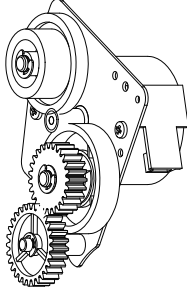
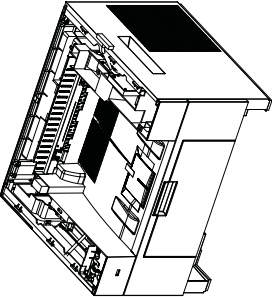
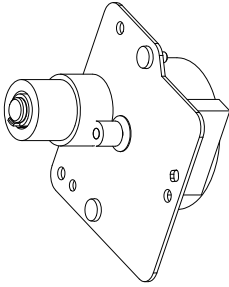
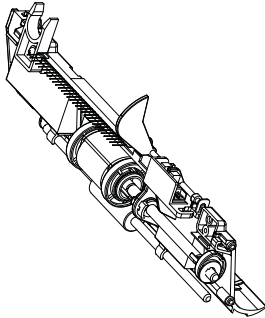
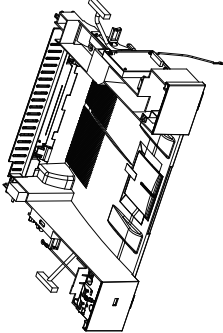
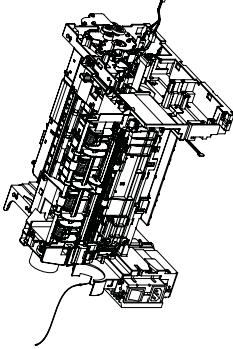
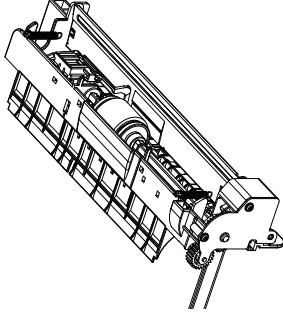
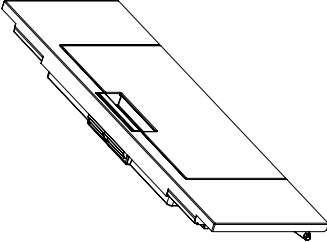
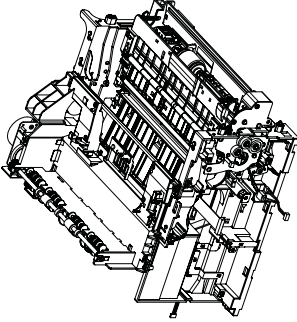
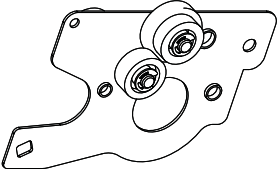
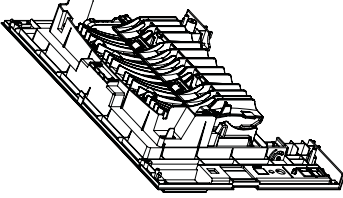
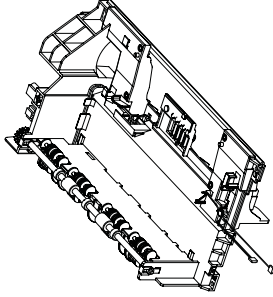
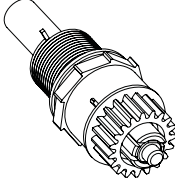


ExplodedView and Parts List

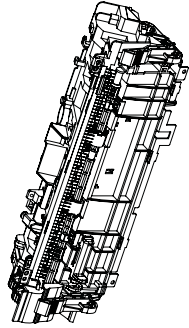
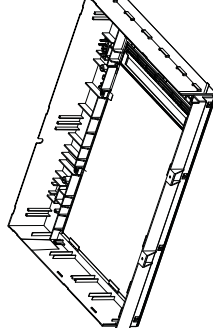
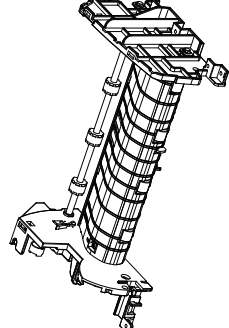
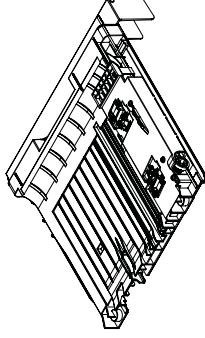
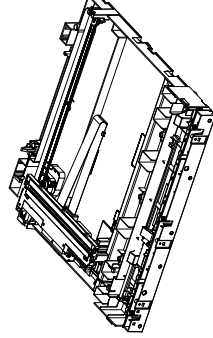
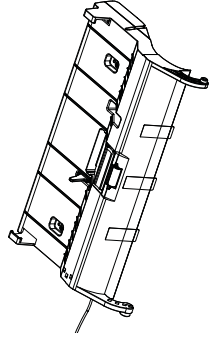
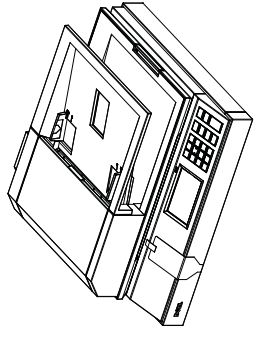
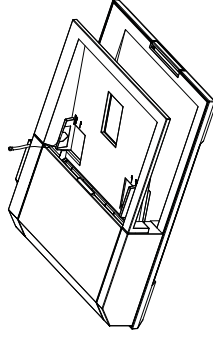
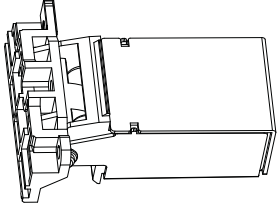
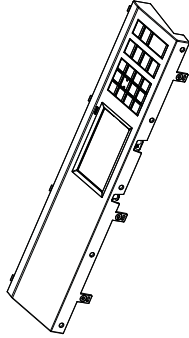
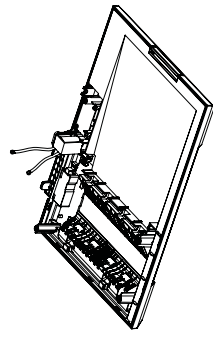
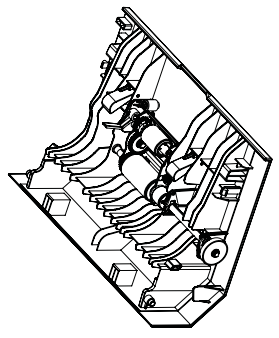
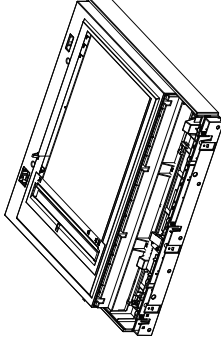
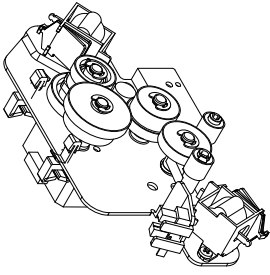
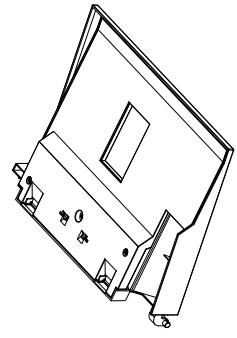
Contents

1. MAIN	7	6. MEA UNIT-DUPLEX	40
2. COVER	9	7. SCANNER.....	42
2.1 COVER-MIDDLE	11	7.1 OPE	44
2.2 MEA-COVER_FRONT	13	7.2 PLATEN	46
2.3 MEA-COVER_REAR	15	7.2.1 MEA-SCAN UPPER	48
3. ELA UNIT-MAIN DRIVE	17	7.2.2 PLATEN-LOWER	50
4. DRIVE-DUPLEX	19	7.3 ELA HOU-DADF	52
5. FRAME	21	7.3.1 ELA HOU-COVER PLATEN.....	54
5.1 FRAME MAIN.....	23	7.3.2 ELA HOU-DADF DRV	56
5.1.1 ELA HOU-FRAME EXIT	26	7.3.3 ELA HOU-DADF LOWER	58
5.1.2 DRIVE-FUSER	28	7.3.4 ELA HOU-DADF_UPPER.....	60
5.1.3 ELA HOU-GUIDE_DUP F	30	7.3.5 MEA UNIT-HINGE DADF	62
5.1.4 ELA HOU-MPF	32	7.3.6 MEA UNIT-COVER OPEN	64
5.1.5 MEA_UNIT-BRACKET_FEED	34	7.3.7 MEA UNIT-STACKER TX	66
5.1.6 MEA UNIT-CLUTCH	36	8. CASSETTE	68
5.2 FUSER	38	9. ELA HOU-SCF	70

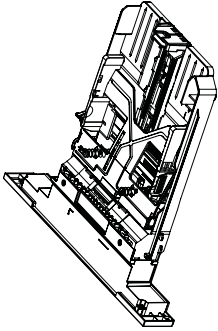
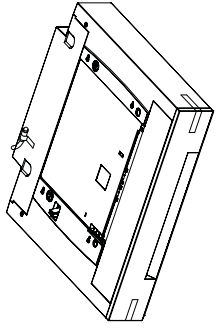
Thumbnail 1

	1. MAIN		3. ELA UNIT-MAIN DRIVE		5.1.2 ELA HOU-FUSER DRIVE
	2. COVER		4. ELA UNIT-DUPLEX DRIVE		5.1.3 ELA HOU-GUIDE_DUP F
	2.1 COVER-MIDDLE		5. FRAME		5.1.4 ELA HOU-MPF
	2.2 MEA-COVER_FRONT		5.1 ELA HOU-FRAME_ETC		5.1.5 MEA_UNIT-BRACKET_FEED
	2.3 MEA-COVER_REAR		5.1.1 ELA HOU-FRAME EXIT		5.1.6 MEA UNIT-CLUTCH

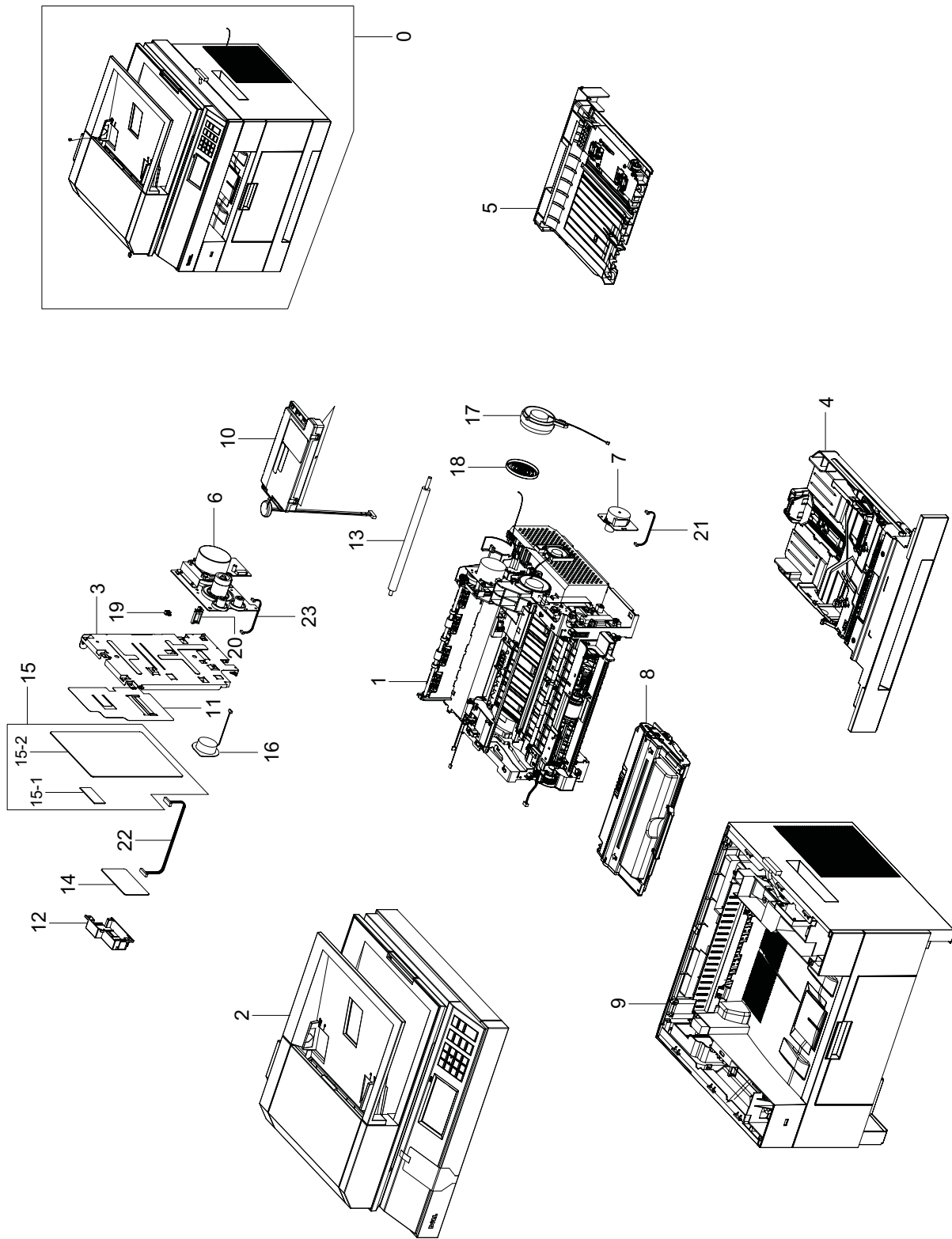
Thumbnail 2

	5.2 FUSER		7.2.1 MEA-SCAN UPPER		7.2.3 ELA HOU-DADF LOWER
	6. MEA UNIT-DUPLEX		7.2.2 PLATEN-LOWER		7.3.4 ELA HOU-DADF_UPPER
	7. SCANNER		7.3 ELA HOU-DADF		7.3.5 MEA UNIT-HINGE DADF
	7.1 OPE		7.3.1 ELA HOU-COVER PLATEN		7.3.6 MEA UNIT-COVER OPEN
	7.2 PLATEN		7.3.2 ELA HOU-DADF DRV		7.3.7 MEA UNIT-STACKER TX

Thumbnail 3

	8. CASSETTE
	9. ELA HOU-SCF

1. MAIN



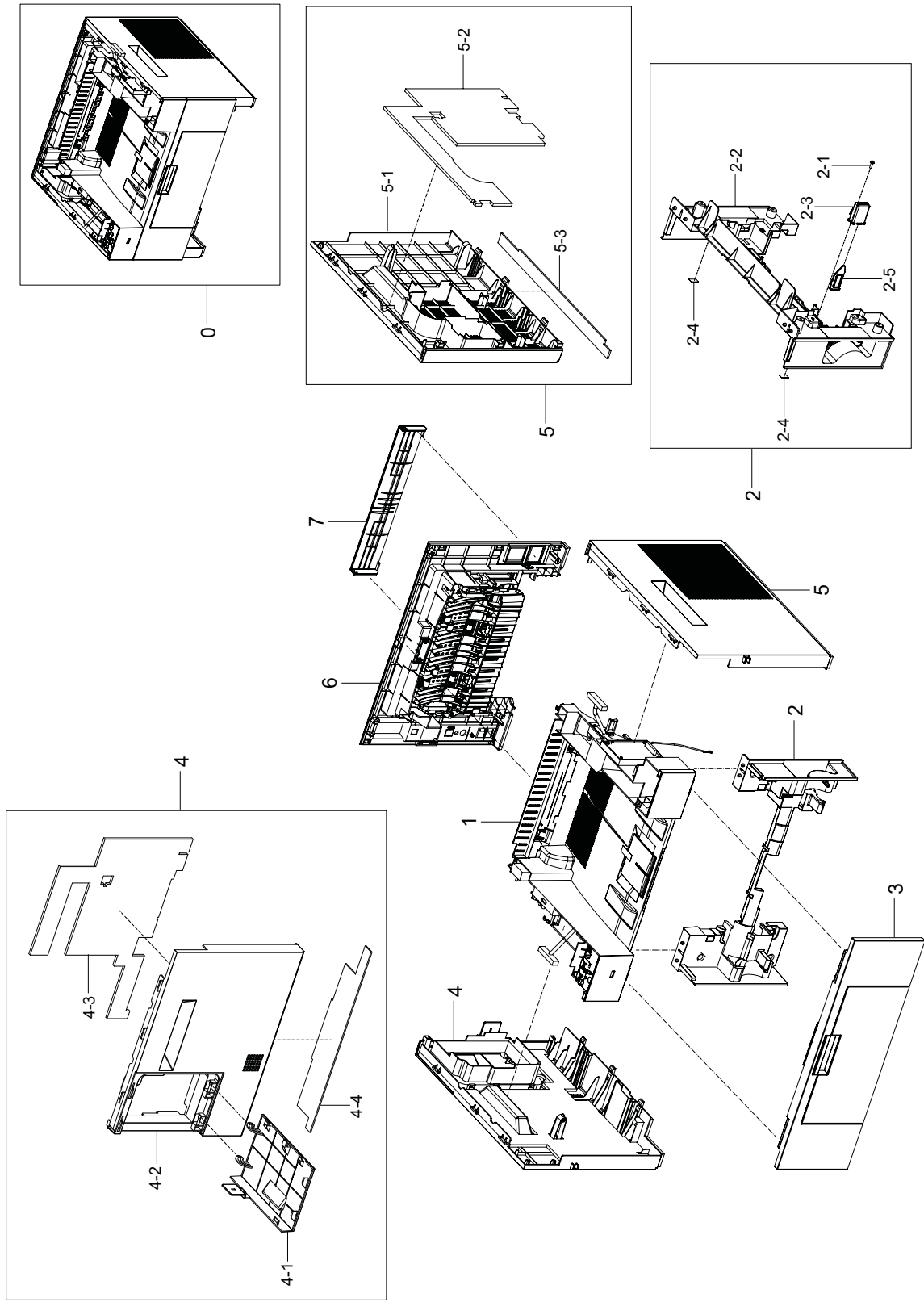
MAIN Parts List

SA : SERVICE AVAILABLE, SNA : SERVICE not AVAILABLE

Drawing#	Dell_code	SEC_code	Description	Qty	Service	Remark
0			SET	1	SNA	
1		JC93-00313A	FRAME(110V)	1	SNA	
1		JC93-00313B	FRAME(220V)	1	SNA	
2		JC97-03865A	SCANNER(110V)	1	SNA	
2		JC97-03865B	SCANNER(220V)	1	SNA	
3		JC63-01839A	SHIELD-CONTROLLER	1	SNA	
4	JM043	JC97-03277A	MEA UNIT-CASSETTE	1	SA	
5		JC93-00314A	DRIVE-DUPLEX	1	SA	
6	YU933	JC96-03761B	ELA UNIT-MAIN DRIVE	1	SA	
7	KW466	JC96-03762B	ELA UNIT-DUPLEX DRIVE	1	SA	
8	CR963	JC96-04964A	CARTRIDGE-TONER	1	SA	3K
9		JC95-01271A	COVER	1	SNA	
10	YF792	JC59-00027A	UNIT-LSU	1	SA	
11		JC63-02010A	SHEET-MAIN PBA	1	SNA	

Drawing#	Dell_code	SEC_code	Description	Qty	Service	Remark
12		JC63-01677A	COVER-FAX	1	SNA	
13	WJ045	JC66-01181A	ROLLER-TRANSFER	1	SA	
14		JC92-02060E	PBA-FAX CARD S	1	SA	
15		JC98-01357A	BOARD-MAIN	1	SA	
15-1		JC92-01975A	PBA-RAM DIMM	1	SA	
15-2		JC92-02336A	PBA-MAIN	1	SA	
16		3001-002262	SPEAKER	1	SNA	
17	KW432	JC31-00087A	FAN-DC	1	SA	
18		JC63-01778A	COVER-FAN_DC	1	SNA	
19		JC96-03155A	ELA HOU-DUMMY JACK	1	SNA	
20		6502-001093	CABLE CLAMP	1	SNA	
21		JC39-01003A	HARNES-DUPLEX_MOTOR	1	SNA	
22		JC39-00883A	HARNES-FAX	1	SNA	
23		JC39-00869A	HARNES-BLDC	1	SNA	

2. COVER



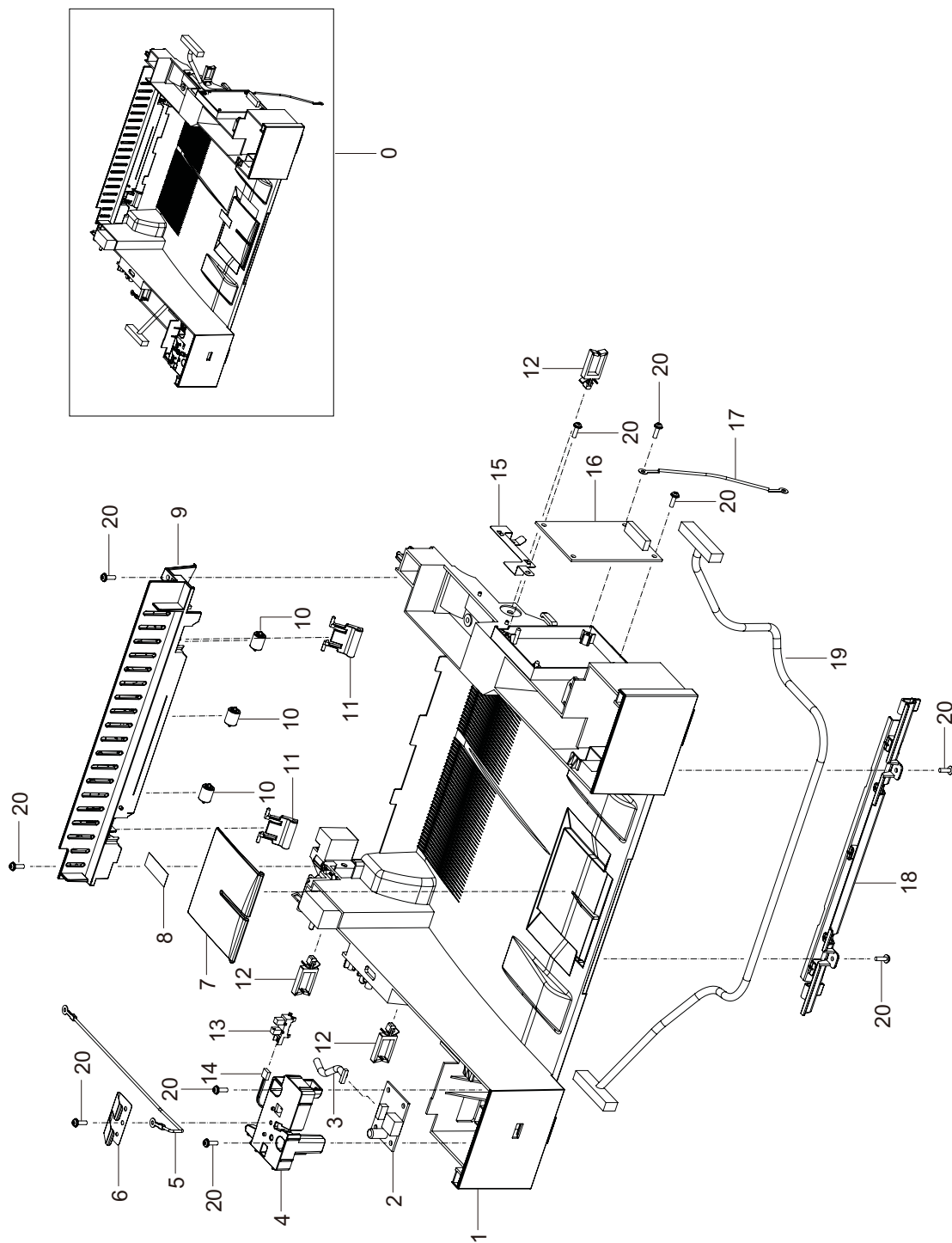
COVER Parts List

SA : SERVICE AVAILABLE, SNA : SERVICE not AVAILABLE

Drawing#	Dell_code	SEC_code	Description	Qty	Service	Remark
0		JC95-01271A	COVER	1	SNA	
1		JC95-01272A	COVER-MIDDLE	1	SNA	
2		JC95-01273A	COVER-MIDDLE FRONT	1	SNA	
2-1		6003-000196	SCREW-TAPTITE	1	SNA	
2-2		JC63-02806A	COVER-MID FRONT	1	SNA	
2-3		JC67-00068B	CAP-M_SUB ACTUATOR	1	SNA	
2-4		JC68-01372B	LABEL-FUNCTION	2	SNA	
2-5		JC72-01339A	PMO-M-SUB ACTUATOR	1	SNA	
3		JC97-03272A	MEA-COVER FRONT	1	SA	
4		JC97-03275A	MEA-COVER SIDE L	1	SA	

Drawing#	Dell_code	SEC_code	Description	Qty	Service	Remark
4-1	KW448	JC63-01810A	COVER-DIMM	1	SA	
4-2		JC63-01832A	COVER-SIDE L	1	SNA	
4-3		JC72-01466A	SPONGE-SIDE L1	1	SNA	
4-4		JC72-01467A	SPONGE-SIDE L2	1	SNA	
5		JC97-03274A	MEA-COVER SIDE R	1	SA	
5-1		JC63-01833A	COVER-SIDE R	1	SNA	
5-2		JC72-01464A	SPONGE-SIDE R1	1	SNA	
5-3		JC72-01465A	SPONGE-SIDE R2	1	SNA	
6		JC97-03276A	MEA-COVER REAR	1	SA	
7		JC63-01464B	COVER-FRAME DUP	1	SNA	

2.1 COVER-MIDDLE



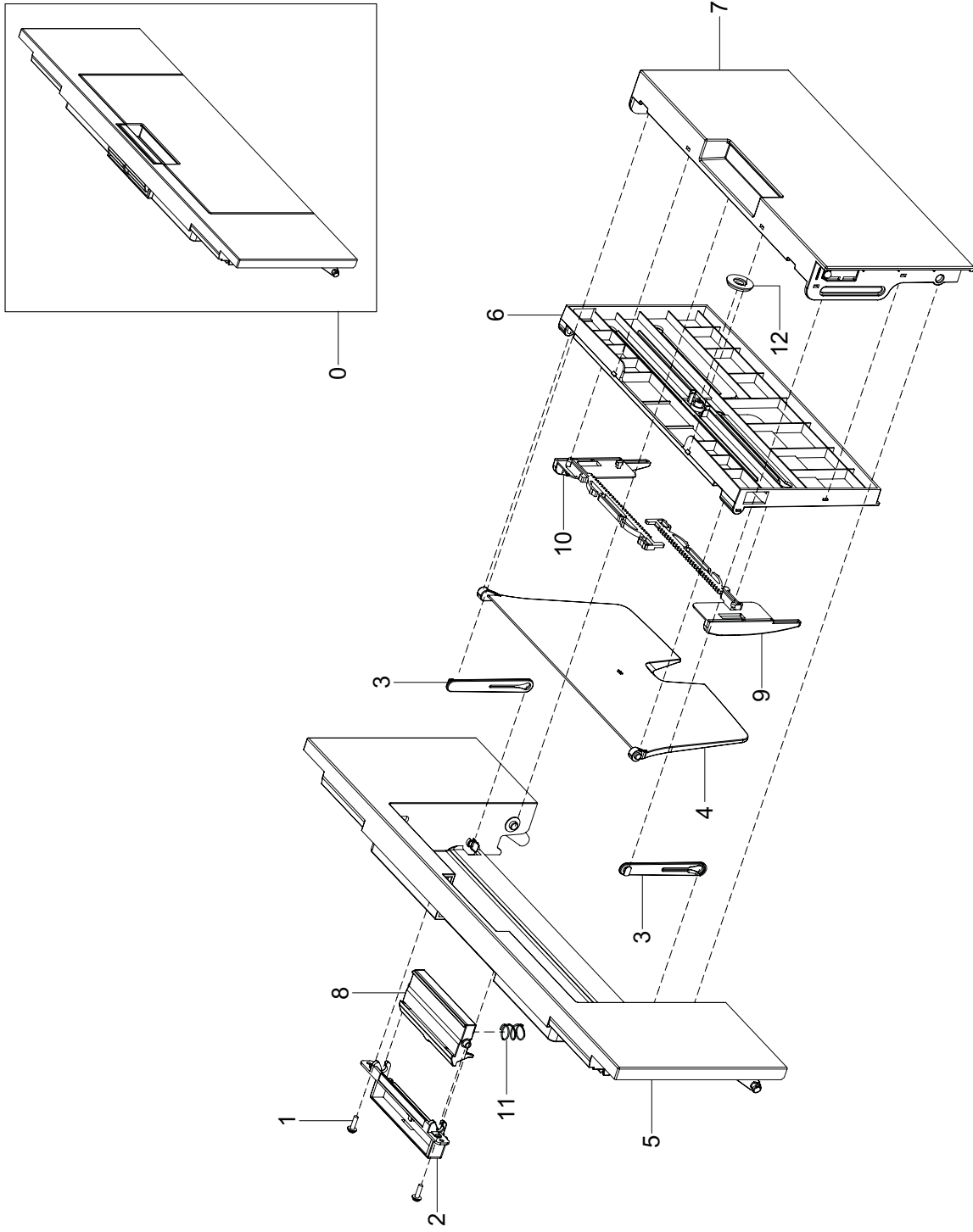
COVER-MIDDLE Parts List

SA : SERVICE AVAILABLE, SNA : SERVICE not AVAILABLE

Drawing#	Dell_code	SEC_code	Description	Qty	Service	Remark
0		JC95-01272A	COVER-MIDDLE	1	SNA	
1		JC63-01817A	COVER-MIDDLE	1	SNA	
2		JC92-02080A	PBA-USB HOST	1	SA	
3		JC39-01038A	HARNES-USB HOST	1	SNA	
4		JC61-04009A	HOLDER-GROUND	1	SNA	
5		JC39-00114A	CBF HARNES-BRUSH GND	1	SNA	
6		JC63-00791A	GROUND-P-SPRING SCAN	1	SNA	
7		JC63-01834A	COVER-STACKER RX	1	SNA	
8		0203-001159	TAPE-FILAMENT	0.1	SNA	
9		JC63-00938B	COVER-M_REAR UPPER	1	SNA	
10		JC72-40981A	PMO-ROLLER UPPER DP	3	SA	

Drawing#	Dell_code	SEC_code	Description	Qty	Service	Remark
11		JC72-01001A	PMO-SUB STACKER	2	SA	
12		6502-001093	CABLE CLAMP	3	SA	
13		0604-001095	PHOTO-INTERRUPTER	1	SA	
14		JC39-01010A	HARNES-R_COVER_OPEN	1	SNA	
15		JC63-02004A	GROUND-MIDDLE	1	SNA	
16		JC92-02191A	PBA-DRIVER	1	SA	
17		JC39-00509A	CBF HARNES-GND ZENER	1	SA	
18		JC61-04010A	HOLDER-HARNES	1	SNA	
19		JC39-00863A	HARNES-ENGINE	1	SA	
20		6003-000196	SCREW-TAPTYPE	10	SA	

2.2 MEA-COVER_FRONT



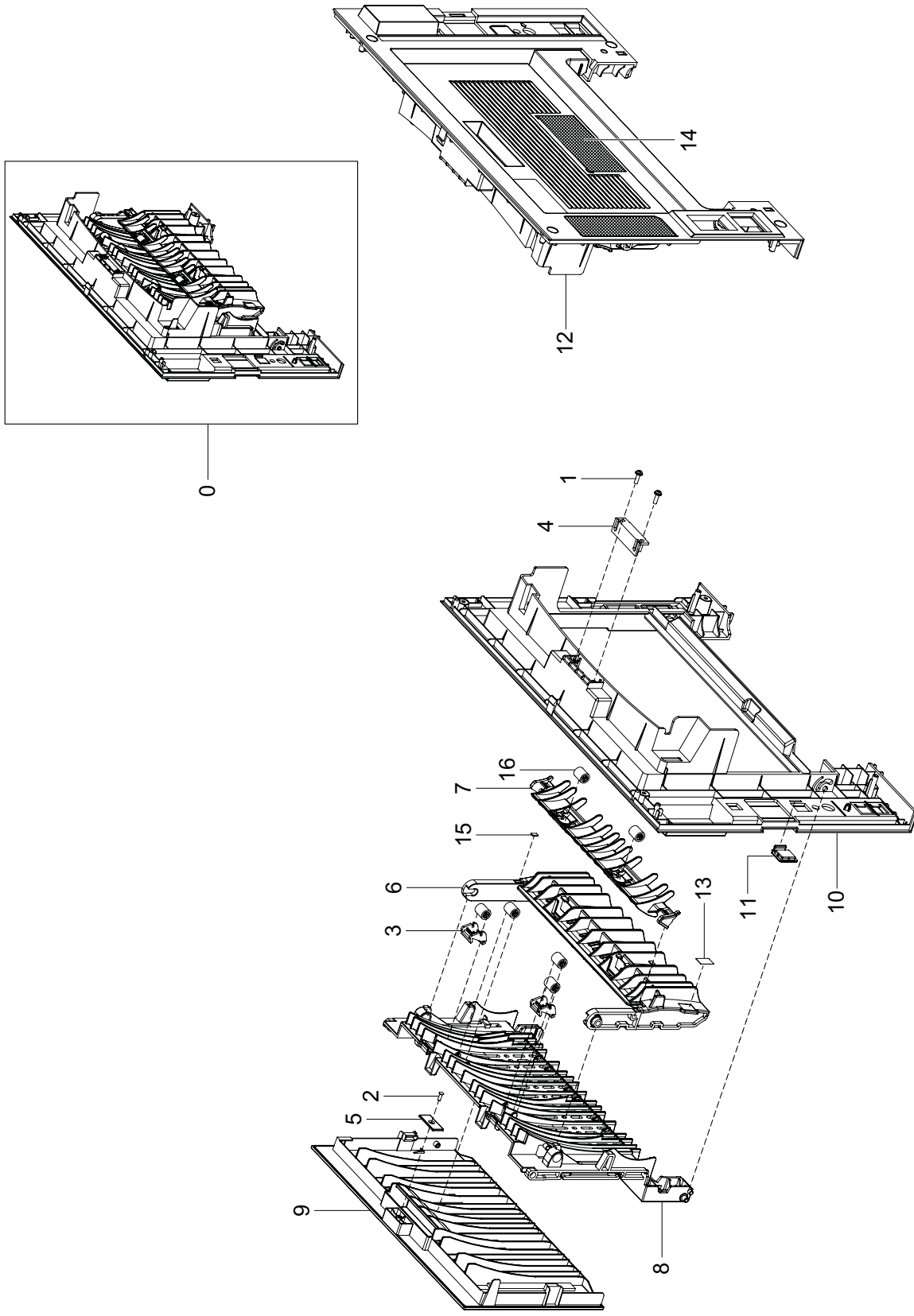
MEA-COVER_FRONT Parts List

Drawing#	Dell_code	SEC_code	Description	Qty	Service	Remark
0		JC97-03272A	MEA-COVER FRONT	1	SA	
1		6003-000196	SCREW-TAPTITE	2	SNA	
2		JC61-02537A	HOLDER-LOCKER	1	SNA	
3		JC63-00444A	TRAY-M-LINK_MP	2	SNA	
4		JC63-00447D	TRAY-ASF_FOLDER	1	SNA	
5		JC63-01812A	COVER-FRONT	1	SNA	
6		JC63-01838A	COVER-TRAY MP	1	SNA	

SA : SERVICE AVAILABLE, SNA : SERVICE not AVAILABLE

Drawing#	Dell_code	SEC_code	Description	Qty	Service	Remark
7		JC63-01840A	TRAY-ASF INPUT	1	SNA	
8		JC64-00398A	LOCKER-FRONT COVER	1	SNA	
9		JC70-00478C	ADJUST-M_MP L	1	SNA	
10		JC70-00479C	ADJUST-M_MP R	1	SNA	
11		JG61-70549A	SPRING ETC-CIS(C2)	1	SNA	
12		JG66-40003A	GEAR-PINION	1	SNA	

2.3 MEA-COVER_REAR



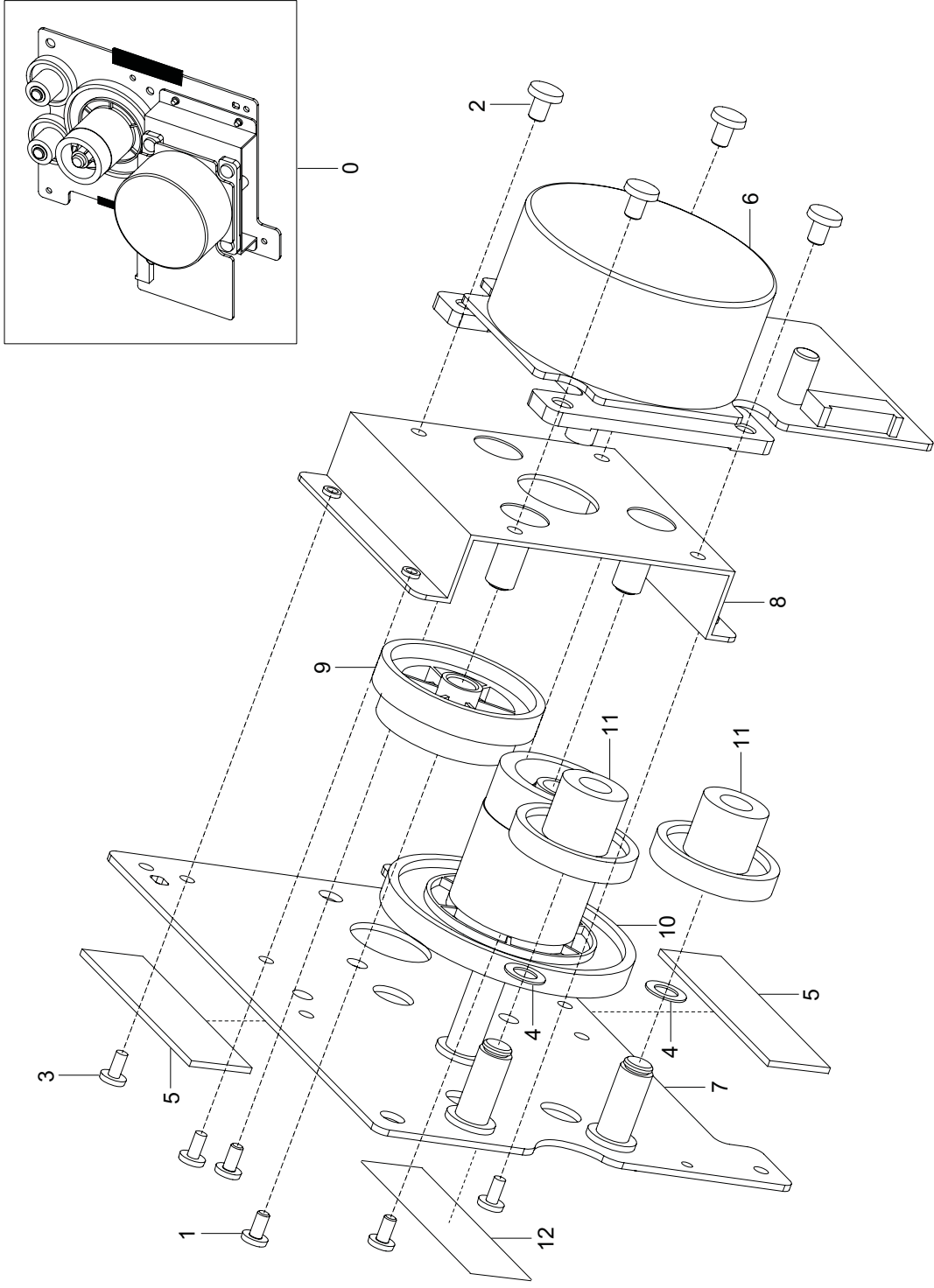
MEA-COVER_REAR Parts List

SA : SERVICE AVAILABLE, SNA : SERVICE not AVAILABLE

Drawing#	Dell_code	SEC_code	Description	Qty	Service	Remark
0		JC97-03276A	MEA-COVER REAR	1	SA	
1		6003-000196	SCREW-TAPTITE	3	SNA	
2		6003-001001	SCREW-TAPTITE	1	SNA	
3		JC61-00785A	HOLDER-M-IDLE ROLLER	1	SNA	
4		JC61-00961A	MAGNET-CATCH DELL	1	SNA	
5		JC61-00962A	PLATE-MAGNET CATCH	2	SNA	
6		JC61-01583A	GUIDE-OUTPUT FUSER	1	SNA	
7		JC61-01944A	GUIDE-OUTPUT F UPPER	1	SNA	
8		JC63-00937B	COVER-M-STACKER REAR	1	SNA	

Drawing#	Dell_code	SEC_code	Description	Qty	Service	Remark
9		JC63-01811A	COVER-FACE UP	1	SNA	
10		JC63-01823A	COVER-REAR	1	SNA	
11		JC67-00160A	CAP-NETWORK	1	SNA	
12		JC68-01668D	LABEL-INFORMATION	1	SNA	
13		JC68-01669B	LABEL(R)-FUSER	1	SNA	
14		JC68-02149A	LABEL-INFORMATION	6	SNA	
15		JC72-01403A	SPONGE-GUIDE OUTPUT	2	SNA	
16		JC72-40981A	PMO-ROLLER UPPER DP	1	SNA	

3. ELA UNIT-MAIN DRIVE



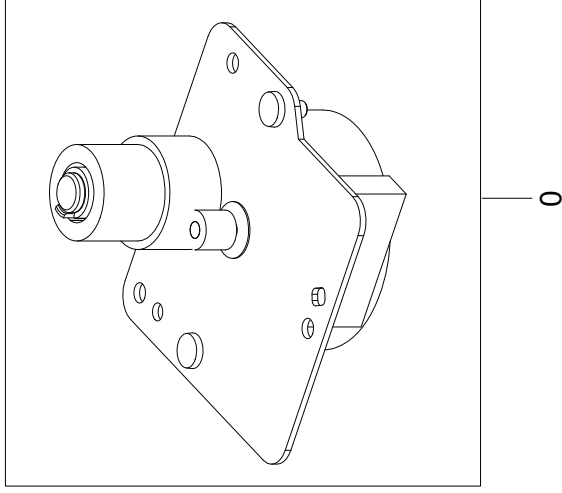
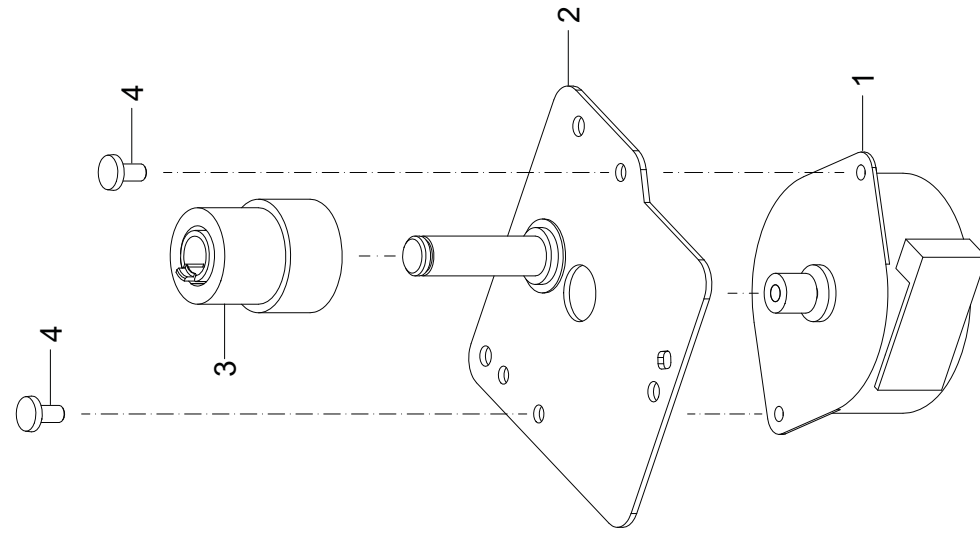
ELA UNIT-MAIN DRIVE Parts List

SA : SERVICE AVAILABLE, SNA : SERVICE not AVAILABLE

Drawing#	Dell_code	SEC_code	Description	Qty	Service	Remark
0		JC96-03761B	ELA UNIT-MAIN DRIVE	1	SA	
1		6001-000130	SCREW-MACHINE	3	SNA	
2		6003-000301	SCREW-TAPTITE	4	SNA	
3		6003-000269	SCREW-TAPTITE	4	SNA	
4		6031-000023	WASHER-PLAIN	2	SNA	
5		6302-001056	GASKET	0.4	SNA	
6		JC31-00101A	MOTOR BLDC	1	SNA	

Drawing#	Dell_code	SEC_code	Description	Qty	Service	Remark
7		JC61-01593A	BRACKET-P-GEAR MAIN	1	SNA	
8		JC61-01597A	BRACKET-P-MOTOR MAIN	1	SNA	
9		JC66-01156A	GEAR-OPC RDCN 93/61	1	SNA	
10		JC66-01157A	GEAR-OPC DRV 113/33	1	SNA	
11		JC66-01162A	GEAR-FEED RDCN 55/18	2	SNA	
12		JC68-01381B	LABEL(R)-PPID(DEVE)	1	SNA	

4. DRIVE-DUPLEX



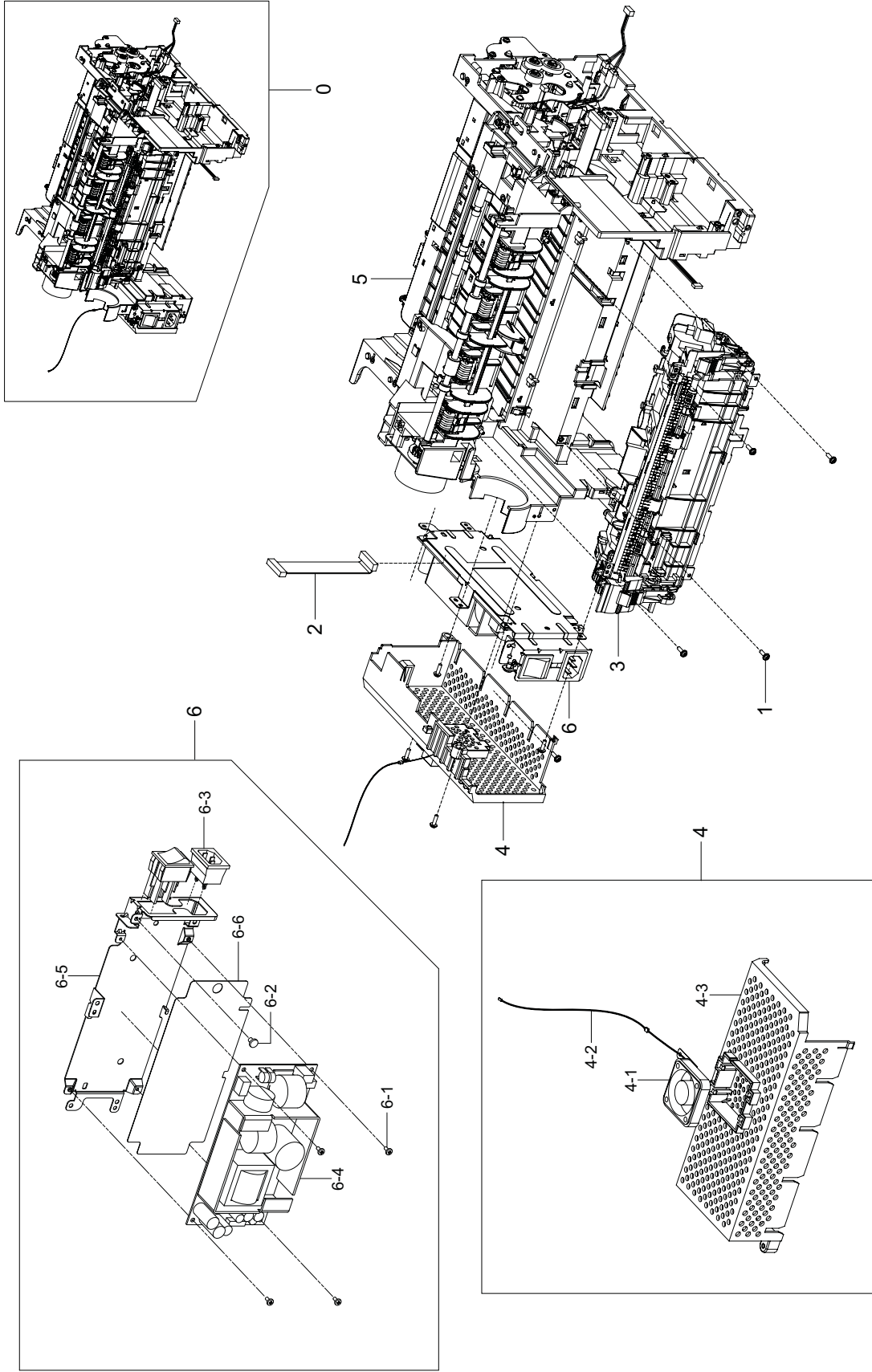
DRIVE-DUPLEX Parts List

SA : SERVICE AVAILABLE, SNA : SERVICE not AVAILABLE

Drawing#	Dell_ code	SEC_code	Description	Qty	Service	Remark
0		JC93-00314A	DRIVE-DUPLEX	1	SA	
1		JC93-00316A	DRIVE-MOTOR STEP	1	SNA	
2		JC61-01599A	BRACKET-P-GEAR DUP	1	SNA	

Drawing#	Dell_ code	SEC_code	Description	Qty	Service	Remark
3		JC61-01159A	GEAR-DUP RDCN 45/19	1	SNA	
4		6001-000130	SCREW-MACHINE	1	SNA	

5. FRAME



FRAME Parts List

SA : SERVICE AVAILABLE, SNA : SERVICE not AVAILABLE

Drawing#	Dell_code	SEC_code	Description	Qty	Service	Remark
0		JC93-00313A	FRAME	1	SNA	110V
0		JC93-00313B	FRAME	1	SNA	220V
1		6003-000196	SCREW-TAPTITE	9	SNA	
2		JC44-00097B	HARNES-SMPS	1	SNA	
3	KW450	JC96-05064B	FUSER	1	SA	220V
3	KW449	JC96-05063B	FUSER	1	SA	110V
4		JC96-05152A	ELA HOU-COVER SMPS	1	SNA	
4-1	KW433	JC31-00108A	FAN	1	SA	
4-2		JC39-00911A	HARNES-SMPS_FAN	1	SNA	
4-3		JC63-01740A	COVER-SMPS	1	SNA	

Drawing#	Dell_code	SEC_code	Description	Qty	Service	Remark
5		JC93-00312A	FRAME MAIN	1	SNA	
6		JC98-01673B	BOARD-SMPS	1	SNA	220V
6		JC98-01673A	BOARD-SMPS	1	SNA	110V
6-1		6003-000269	SCREW-TAPTITE	4	SNA	
6-2		6003-000301	SCREW-TAPTITE	1	SNA	
6-3		JC39-01501A	HARNES AC-INLET	1	SNA	
6-4		JC44-00090F	SMPS-V2	1	SNA	220V
6-4		JC44-00097F	SMPS-V1	1	SNA	110V
6-5		JC63-00913A	SHIELD-P-SMPS	1	SNA	
6-6		JC63-00960A	SHEET-INSULATOR_SMPS	1	SNA	

FRAME MAIN Parts List

SA : SERVICE AVAILABLE, SNA : SERVICE not AVAILABLE

Drawing#	Dell_code	SEC_code	Description	Qty	Service	Remark
0		JC93-00312A	FRAME MAIN	1	SNA	
1		0201-001183	ADHESIVE-AA	0.025	SNA	
2		0205-001003	GREASE-BEARING	0.001	SNA	
3		0205-001067	GREASE-GRAPHITE	0.006	SNA	
4		6002-000440	SCREW-TAPPING	4	SNA	
5		6003-000196	SCREW-TAPTITE	34	SNA	
6		6003-000282	SCREW-TAPTITE	5	SNA	
7		6006-001078	SCREW-TAPTITE	3	SNA	
8		6044-000001	RING-CS	1	SNA	
9		6044-000125	RING-E	1	SNA	
10		6107-001164	SPRING-TS	3	SNA	
11		6107-001352	SPRING-TS	1	SNA	
12		6107-001370	SPRING-CS	1	SNA	
13		6107-001498	SPRING-ES	1	SNA	
14		6502-001093	CABLE CLAMP	1	SNA	
15	KW431	JC31-00107A	FAN	1	SA	
16		JC33-00025B	SOLENOID-MANUAL	1	SNA	
17		JC33-00027B	SOLENOID-FEED	1	SNA	
18		JC39-00322A	CBF HARNESS-SCAN GND	1	SNA	
19		JC39-00880A	HARNESS-SOLENOID	1	SNA	
20		JC39-01004A	HARNESS-EXIT_MOTOR	1	SNA	
21		JC61-00585A	BUSH-M-FEED IDLE	2	SNA	
22		JC61-00588A	BUSH-M-TR L	1	SNA	
23		JC61-00604B	PLATE-E_SAW	1	SNA	
24		JC61-00835A	FOOT-BACK	2	SNA	
25		JC61-00907A	HOLDER-M-PTL R2	1	SNA	
26		JC61-00914A	PLATE-P-PUSH BUSHING	2	SNA	
27		JC61-01584A	HOUSING-M_TERMINAL	1	SNA	
28		JC61-01602A	HOLDER-M_PICK UP	1	SNA	
29		JC61-01618A	HOLDER-M_ACT FEED	1	SNA	

Drawing#	Dell_code	SEC_code	Description	Qty	Service	Remark
30		JC61-01619A	HOLDER-M_ACT REGI	1	SNA	
31		JC61-01620A	FRAME-M_BASE	1	SNA	
32		JC61-01622B	HOLDER-M_TR	1	SNA	
33		JC61-01623A	GUIDE-M_HOLDER TR	1	SNA	
34		JC61-01942A	GUIDE-TR RIB	1	SNA	
35		JC61-01943A	GUIDE-TR	1	SNA	
36		JC61-70932A	SPRING ETC-GUIDE DEVE	2	SNA	
37		JC61-70958A	SPRING ETC-TR	2	SNA	
38		JC63-00917A	GROUND-P-DRIVE	1	SNA	
39		JC63-00918A	GROUND-P-EARTH TR	1	SNA	
40		JC63-00920A	GROUND-P-FUSER	1	SNA	
41		JC63-00921A	GROUND-P-GUIDE TR	1	SNA	
42		JC63-00922A	GROUND-P-DRIVE2	1	SNA	
43		JC63-00923A	GROUND-P-PUSH BUSHING	1	SNA	
44		JC63-00924A	GROUND-P-SHIELD SMPS	1	SNA	
45		JC63-00925A	GROUND-P-MOTOR FUSER	1	SNA	
46		JC63-00926A	GROUND-P-SHIELD	1	SNA	
47		JC63-01960A	GROUND-PR_FRAME	1	SNA	
48		JC65-00014A	TERMINAL-P-HV CR	1	SNA	
49		JC65-00018A	TERMINAL-TR	1	SNA	
50		JC66-00050A	CAM-CATCH	1	SNA	
51		JC66-00377A	CAM-M-PICK_UP	1	SNA	
52		JC66-00526A	ROLLER-FEED ROLLER 1	1	SNA	
53		JC66-00527A	SHAFT-FEED IDLE	1	SNA	
54		JC66-01160A	SHAFT-M_FEED2	1	SNA	
55		JC66-01165A	GEAR-FEED2 Z27	1	SNA	
56		JC66-01189A	LEVER-M_ACTUATOR FEED	1	SNA	
57		JC66-01190A	LEVER-M_ACT DUP OUT	1	SNA	
58		JC66-01191A	LEVER-M_ACTUATOR REGI	1	SNA	
59		JC68-00317A	LABEL(R)-HOT CAUTION,KME	1	SNA	

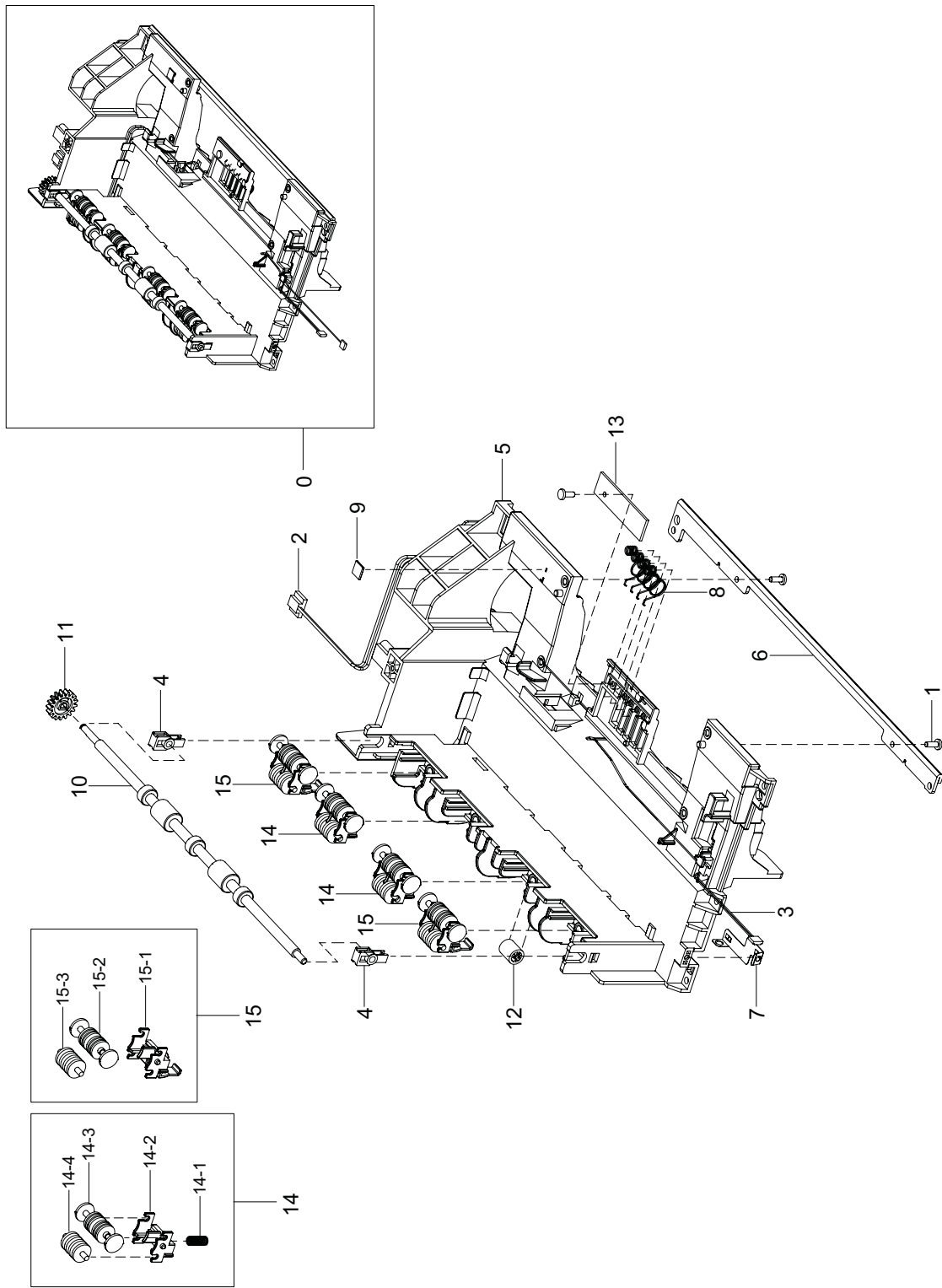
FRAME MAIN Parts List

SA : SERVICE AVAILABLE, SNA : SERVICE not AVAILABLE

Drawing#	Dell_code	SEC_code	Description	Qty	Service	Remark
60		JC68-30928E	LABEL(P)-CAUTION, HOT_FU	1	SNA	
61		JC70-00307A	IPR-P-EARTH TRANSFER	1	SNA	
62		JC70-00312A	IPR-P-TERMINAL CON	3	SNA	
63		JC72-00102A	PMO-BUSHING_TR(L)	1	SNA	
64		JC72-00382B	PMO-BUSHING FEED	3	SNA	
65		JC72-00974A	PMO-ACTUATOR CVR OPEN	1	SNA	
66		JC72-00983A	PMO-LOCKER CST	2	SNA	
67		JC72-00984A	PMO-PLATE GUIDE DEVE_L	1	SNA	
68		JC72-00985A	PMO-PLATE GUIDE DEVE_R	1	SNA	

Drawing#	Dell_code	SEC_code	Description	Qty	Service	Remark
69		JC75-00049A	MEC-TERMINAL	4	SNA	
70	YX572	JC96-03829B	ELA HOU-GUIDE_DUP F	1	SA	
71		JC93-00311A	DRIVE-FUSER	1	SA	
72		JC96-05479A	ELA HOU-HVPS	1	SA	
73	PF661	JC96-04880A	ELA HOU-MPF	1	SA	
74		JC96-05189A	ELA HOU-FRAME EXIT	1	SNA	
75		JC97-01788A	MEA UNIT-CLUTCH	1	SNA	
76		JC97-02394A	MEA UNIT-BRACKET FEED	1	SNA	
77		JC96-05218B	MEA UNIT-GEAR PICK UP	1	SNA	

5.1.1 ELA HOU-FRAME EXIT



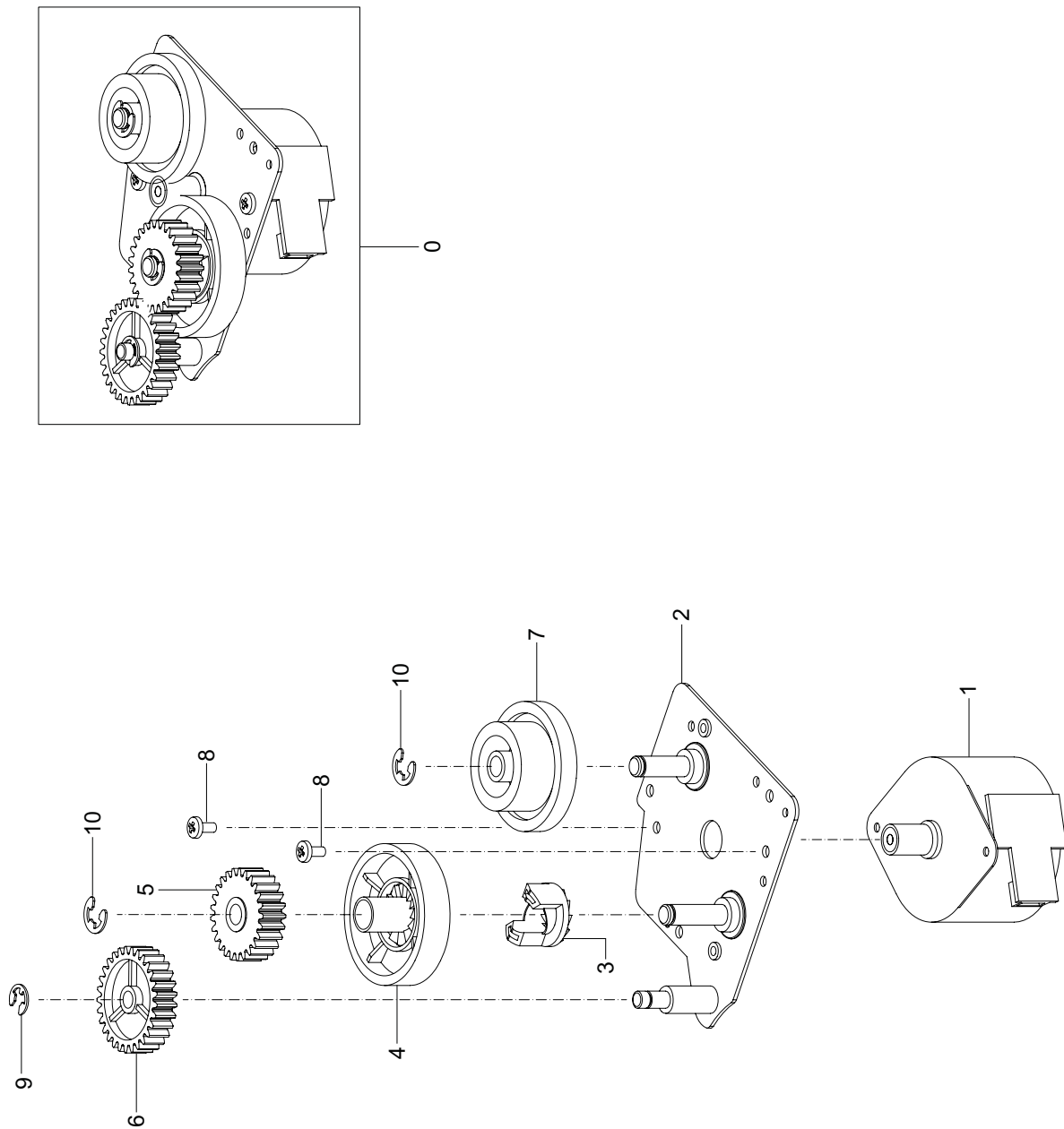
ELA HOU-FRAME EXIT Parts List

SA : SERVICE AVAILABLE, SNA : SERVICE not AVAILABLE

Drawing#	Dell_code	SEC_code	Description	Qty	Service	Remark
0		JC96-05189A	ELA HOU-FRAME EXIT	1	SNA	
1		6003-000282	SCREW-TAPTITE	3	SNA	
2		JC39-00886A	HARNES-FUSER_AC	1	SNA	
3		JC39-00888A	HARNES-LSU_SW	1	SNA	
4		JC61-00829A	HOLDER-BEARING EXIT F/ DOWN	2	SNA	
5		JC61-01941A	FRAME-EXIT	1	SNA	
6		JC61-02155A	PLATE-LSU SUPPORT	1	SNA	
7		JC63-01322A	GROUND-FUSER BRUSH	1	SNA	
8		JC65-00019A	TERMINAL-CRUM	4	SNA	
9		JC66-01283A	DAMPER-FRAME EXIT	1	SNA	
10		JC66-02038A	ROLLER-EXIT F/DOWN	1	SNA	

Drawing#	Dell_code	SEC_code	Description	Qty	Service	Remark
11		JC66-40209A	GEAR-EXIT	1	SNA	
12		JC72-40981A	PMO-ROLLER UPPER DP	1	SNA	
13		JC92-02007A	PBA-DEVE CRUM IF	1	SNA	
14		JC97-01034A	MEA RACK-EXIT ROLLER	2	SNA	
14-1		JC61-70911A	SPRING ETC-EXIT ROLL FD	1	SNA	
14-2		JC72-41006A	PMO-HOLDER EXIT ROLL	1	SNA	
14-3		JC72-41007A	PMO-ROLLER FD F	1	SNA	
14-4		JC72-41008A	PMO-ROLLER FD R	1	SNA	
15		JC97-03469A	MEA RACK-EXIT ROLLER S	2	SNA	
15-1		JC61-02751A	HOLDER-EXIT ROLL SIDE	1	SNA	
15-2		JC72-41007A	PMO-ROLLER FD F	1	SNA	
15-3		JC72-41008A	PMO-ROLLER FD R	1	SNA	

5.1.2 DRIVE-FUSER



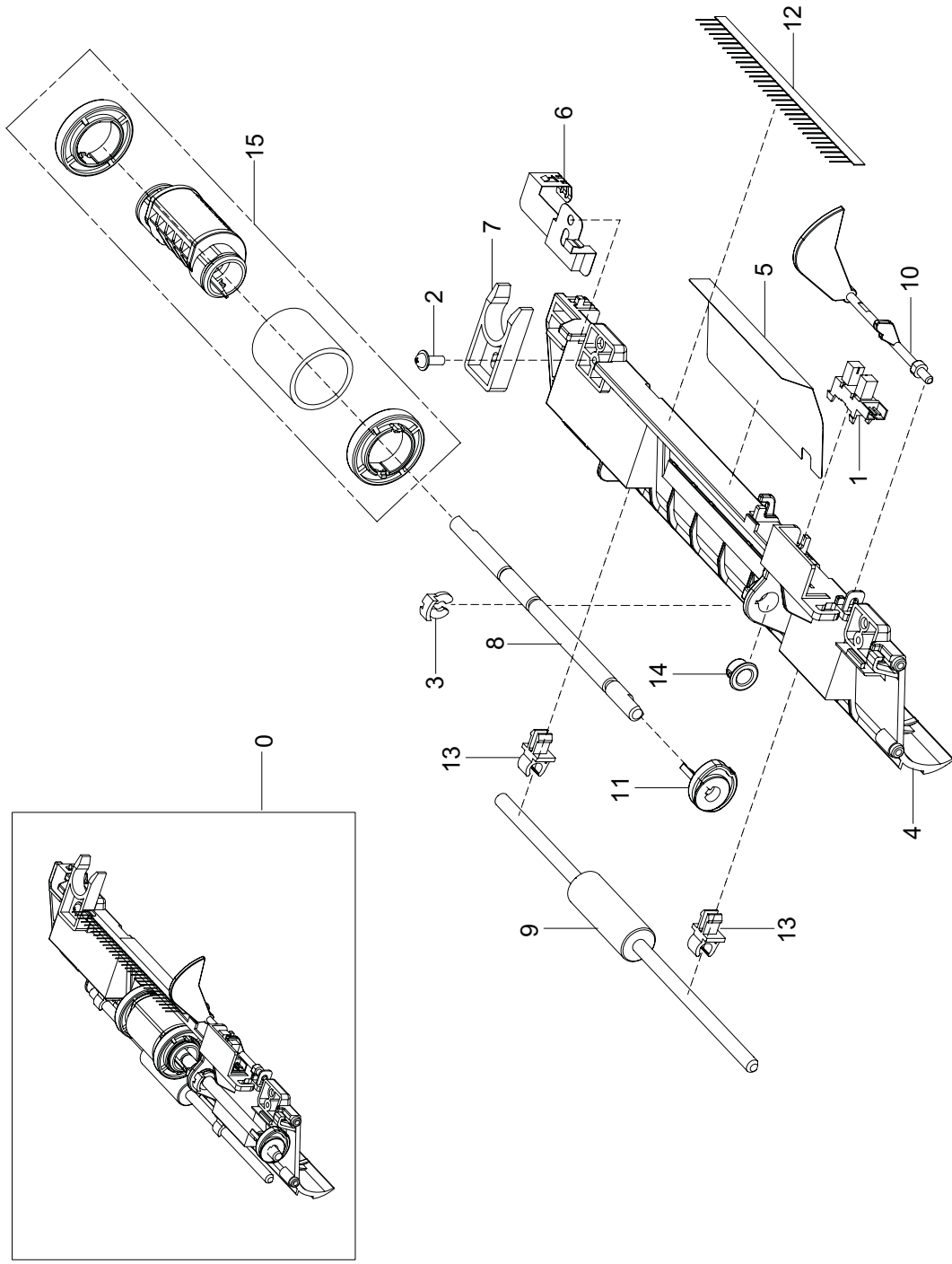
DRIVE-FUSER Parts List

SA : SERVICE AVAILABLE, SNA : SERVICE not AVAILABLE

Drawing#	Dell_code	SEC_code	Description	Qty	Service	Remark
0		JC93-00311A	DRIVE FUSER	1	SA	
1		JC93-00317A	DRIVE-MOTOR STEP	1	SNA	
2		JC61-01946A	BRACKET-FUSER EXIT	1	SNA	
3		JC66-00340A	GEAR-HUB CLUTCH	1	SNA	
4		JC66-01163A	GEAR-FUSER RDCN IN 95	1	SNA	
5		JC66-00417A	GEAR-RDCN FUSER OUT	1	SNA	

Drawing#	Dell_code	SEC_code	Description	Qty	Service	Remark
6		JC66-01210A	GEAR-FUSER IDLE FR	1	SNA	
7		JC66-01158A	GEAR-EXIT RDCN 87/24	1	SNA	
8		6003-000269	SCREW-TAPTYPE	2	SNA	
9		6044-000125	RING-E	1	SNA	
10		JC66-00346A	RING-E	2	SNA	

5.1.3 ELA HOU-GUIDE_DUP F



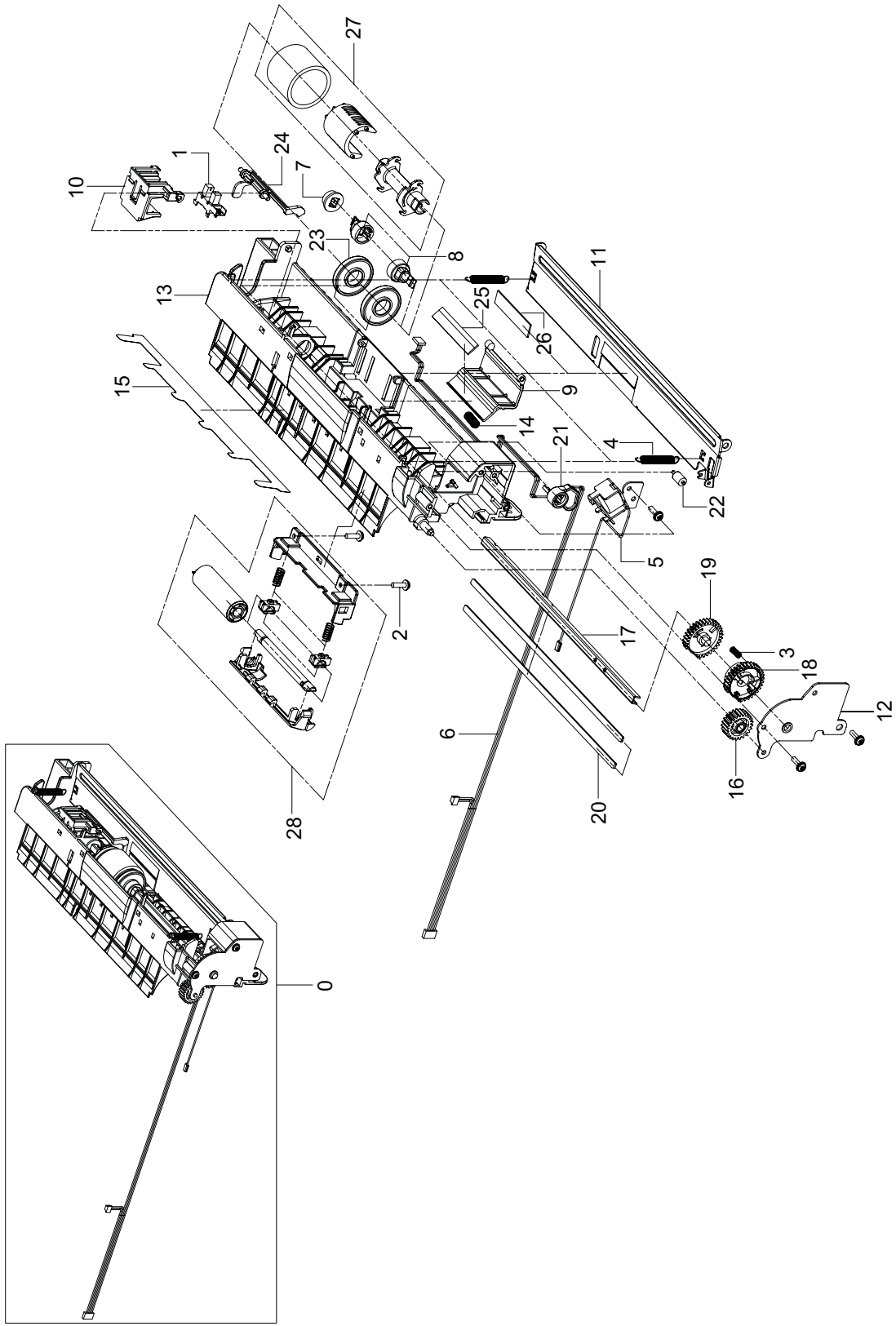
ELA HOU-GUIDE_DUP F Parts List

SA : SERVICE AVAILABLE, SNA : SERVICE not AVAILABLE

Drawing#	Dell_code	SEC_code	Description	Qty	Service	Remark
0		JC96-03829B	ELA HOU-GUIDE_DUP F	1	SA	
1		0604-001095	PHOTO-INTERRUPTER	1	SNA	
2		6002-000440	SCREW-TAPPING	1	SNA	
3		JC61-01367A	FIXER-M_E RING 4PI	1	SNA	
4		JC61-01600A	GUIDE-M_FRONT DUPLEX	1	SNA	
5		JC63-00992A	SHEET-GUIDE FRONT DU	1	SNA	
6		JC63-01153A	GROUND-P_BRUSH	1	SNA	
7		JC66-00050A	CAM-CATCH	1	SNA	

Drawing#	Dell_code	SEC_code	Description	Qty	Service	Remark
8		JC66-01171A	SHAFT-PICK UP	1	SNA	
9	T190G	JC66-01173A	ROLLER-FEED	1	SA	
10		JC66-01187A	LEVER-ACTUATOR EMPTY	1	SNA	
11		JC66-01581A	CAM-SHAFT PICK UP	1	SNA	
12		JC67-00208A	BRUSH-ANTISTATIC	1	SNA	
13		JC72-00382B	PMO-BUSHING FEED	2	SNA	
14		JC72-41364A	PMO-BUSHING_P/U_MP	1	SNA	
15	UG594	JC97-02441A	MEA-ROLLER PICK UP	1	SA	

5.1.4 ELA HOU-MPF



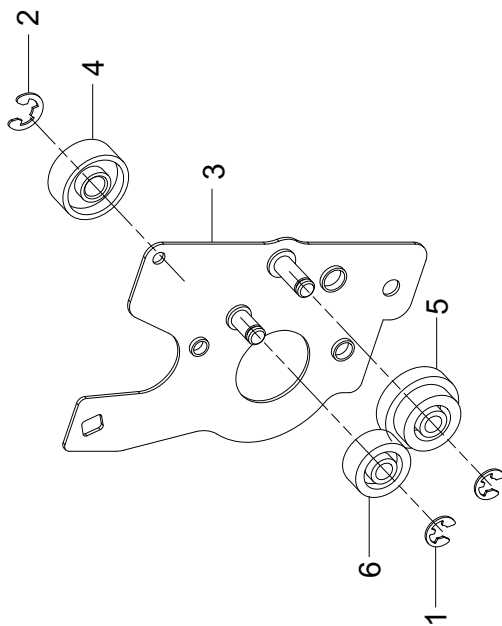
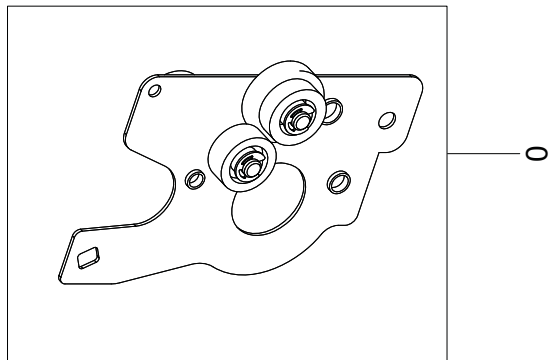
ELA HOU-MPF Parts List

SA : SERVICE AVAILABLE, SNA : SERVICE not AVAILABLE

Drawing#	Dell_code	SEC_code	Description	Qty	Service	Remark
0		JC96-04880A	ELA HOU-MPF	1	SA	
1		0604-001095	PHOTO-INTERRUPTER	1	SNA	
2		6003-000196	SCREW-TAPTITE	2	SNA	
3		6107-001167	SPRING-CS	2	SNA	
4		6107-001237	SPRING-ES	1	SNA	
5		JC33-00028B	SOLENOID-MP	1	SNA	
6		JC39-00873A	HARNESS-MP	1	SNA	
7		JC61-00587A	BUSH-M-PICK_UP R	1	SNA	
8		JC61-00915A	STOPPER-M-PICK_UP_R2	2	SNA	
9		JC61-00924A	HOLDER-M-PAD_MP	1	SNA	
10		JC61-00926A	HOLDER-M-SENSOR_MP	1	SNA	
11		JC61-00927A	PLATE-P-KNOCK_UP_MP	1	SNA	
12		JC61-00932A	BRACKET-P-PICKUP_MP	1	SNA	
13		JC61-01603A	FRAME-M_MP	1	SNA	
14		JC61-70911A	SPRING ETC-EXIT ROLL FD	1	SNA	

Drawing#	Dell_code	SEC_code	Description	Qty	Service	Remark
15		JC63-01094A	SHEET-GUIDE MP	1	SNA	
16		JC66-00396A	GEAR-IDLE 23	1	SNA	
17		JC66-00399A	SHAFT-P-PICK_UP	1	SNA	
18		JC66-00709A	GEAR-M-HOLDER_MP	1	SNA	
19		JC66-00710A	GEAR-M-PICK_UP_MP	1	SNA	
20		JC66-00720A	SHAFT-P-CORE	2	SNA	
21		JC66-01205A	CAM-M_PICK_UP MP	1	SNA	
22		JC72-00761A	PMO-ROLLER CAM.MP	1	SNA	
23		JC72-00982A	PMO-IDLE PICK_UP	2	SNA	
24		JC72-01338A	PMO-M-ACT EMPTY MP	1	SNA	
25		JC73-00140A	RPR-FRICTION PAD	1	SNA	
26		JC73-00141A	RPR-PAD CASSETTE	1	SNA	
27	TF129	JC97-02034A	MEA-PICK_UP_MP	1	SA	
28		JC97-02443A	MEA-IDLE FEED	1	SNA	

5.1.5 MEA_UNIT-BRACKET_FEED



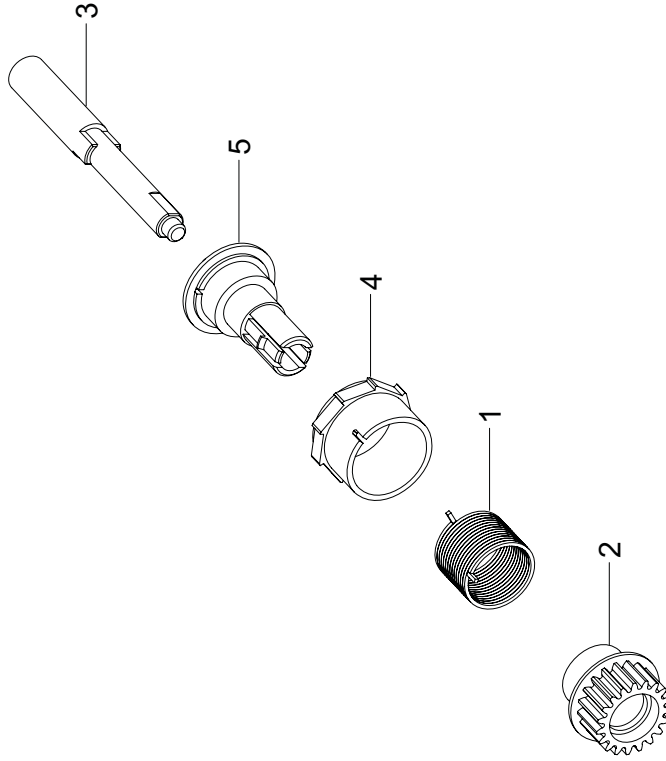
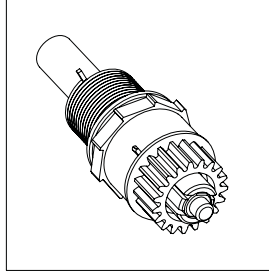
MEA_UNIT-BRACKET_FEED Parts List

SA : SERVICE AVAILABLE, SNA : SERVICE not AVAILABLE

Drawing#	Dell_code	SEC_code	Description	Qty	Service	Remark
0		JC97-02394A	MEA UNIT-BRACKET FEED	1	SNA	
1		6044-000125	RING-E	2	SNA	
2		6044-000231	RING-E	1	SNA	
3		JC61-01582A	BRACKET-P-FEED	1	SNA	

Drawing#	Dell_code	SEC_code	Description	Qty	Service	Remark
4		JC66-00484A	GEAR-T2 IDEL_ZZ7	1	SNA	
5		JC66-01164A	GEAR-RETARD 39/19	1	SNA	
6		JC66-01166A	GEAR-IDLE Z29 HELICAL	1	SNA	

5.1.6 MEA UNIT-CLUTCH



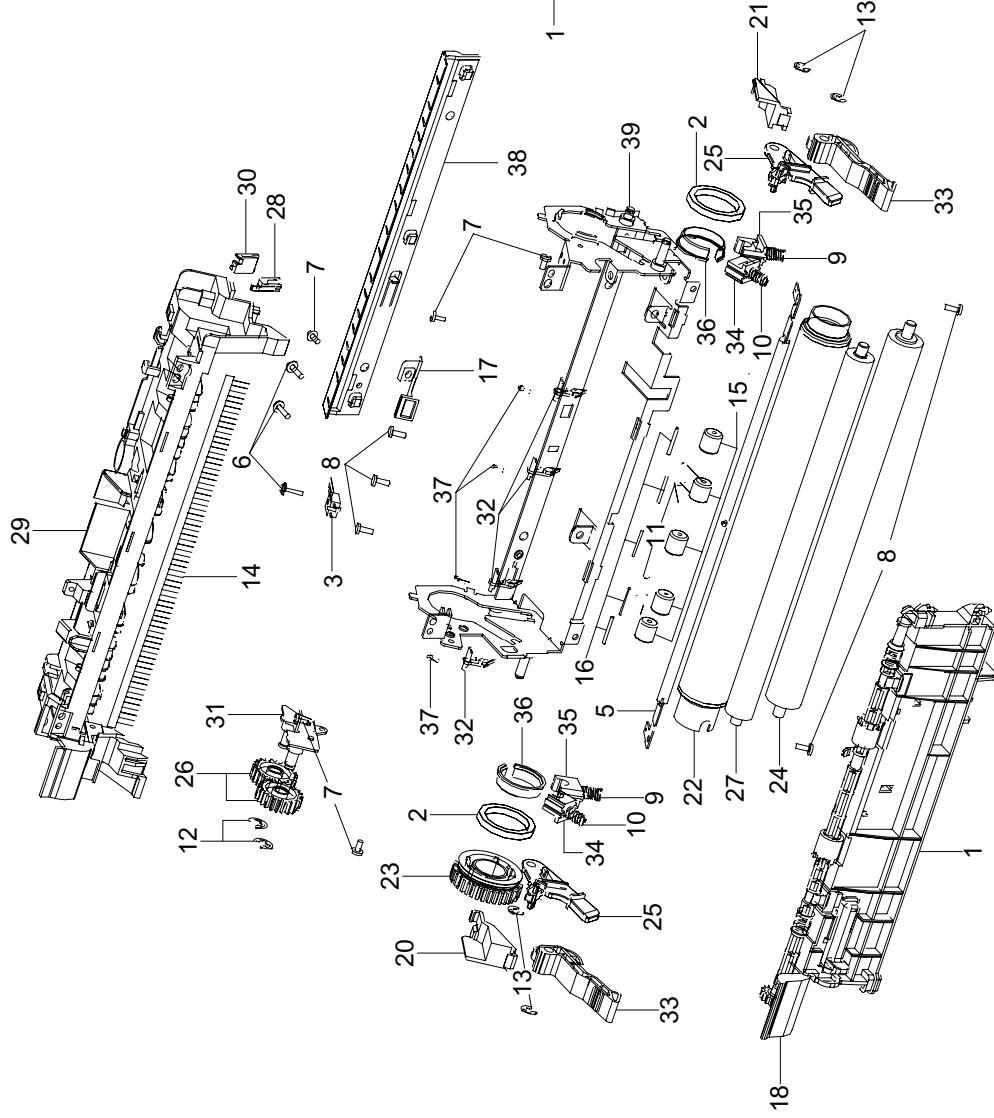
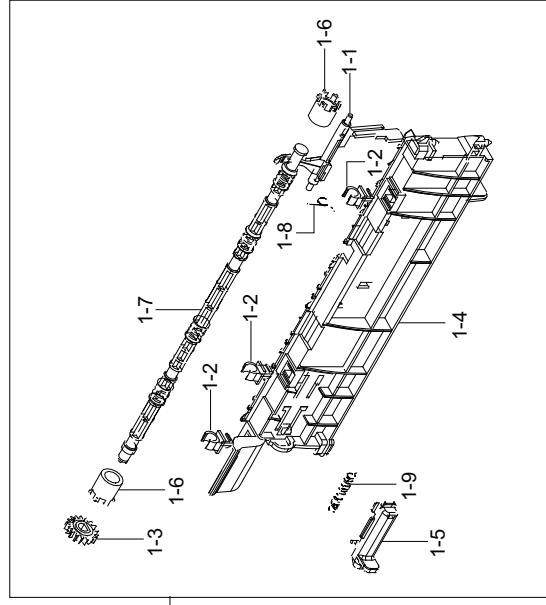
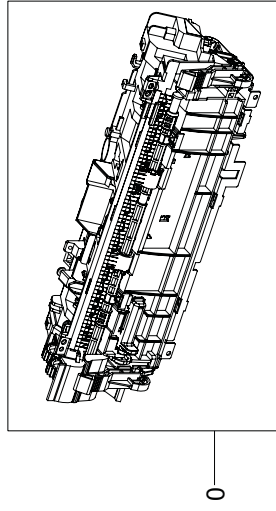
MEA UNIT-CLUTCH Parts List

SA : SERVICE AVAILABLE, SNA : SERVICE not AVAILABLE

Drawing#	Dell_code	SEC_code	Description	Qty	Service	Remark
0		JC97-01788A	MEA UNIT-CLUTCH	1	SNA	
1		6107-001171	SPRING-TS	1	SNA	
2		JC66-00393A	GEAR-FEED 1	1	SNA	

Drawing#	Dell_code	SEC_code	Description	Qty	Service	Remark
3		JC66-00398A	SHAFT-FEED	1	SNA	
4		JC72-00978A	PMO-COLLAR_SPRING	1	SNA	
5		JC72-00981A	PMO-HUB CLUTCH	1	SNA	

5.2 FUSER



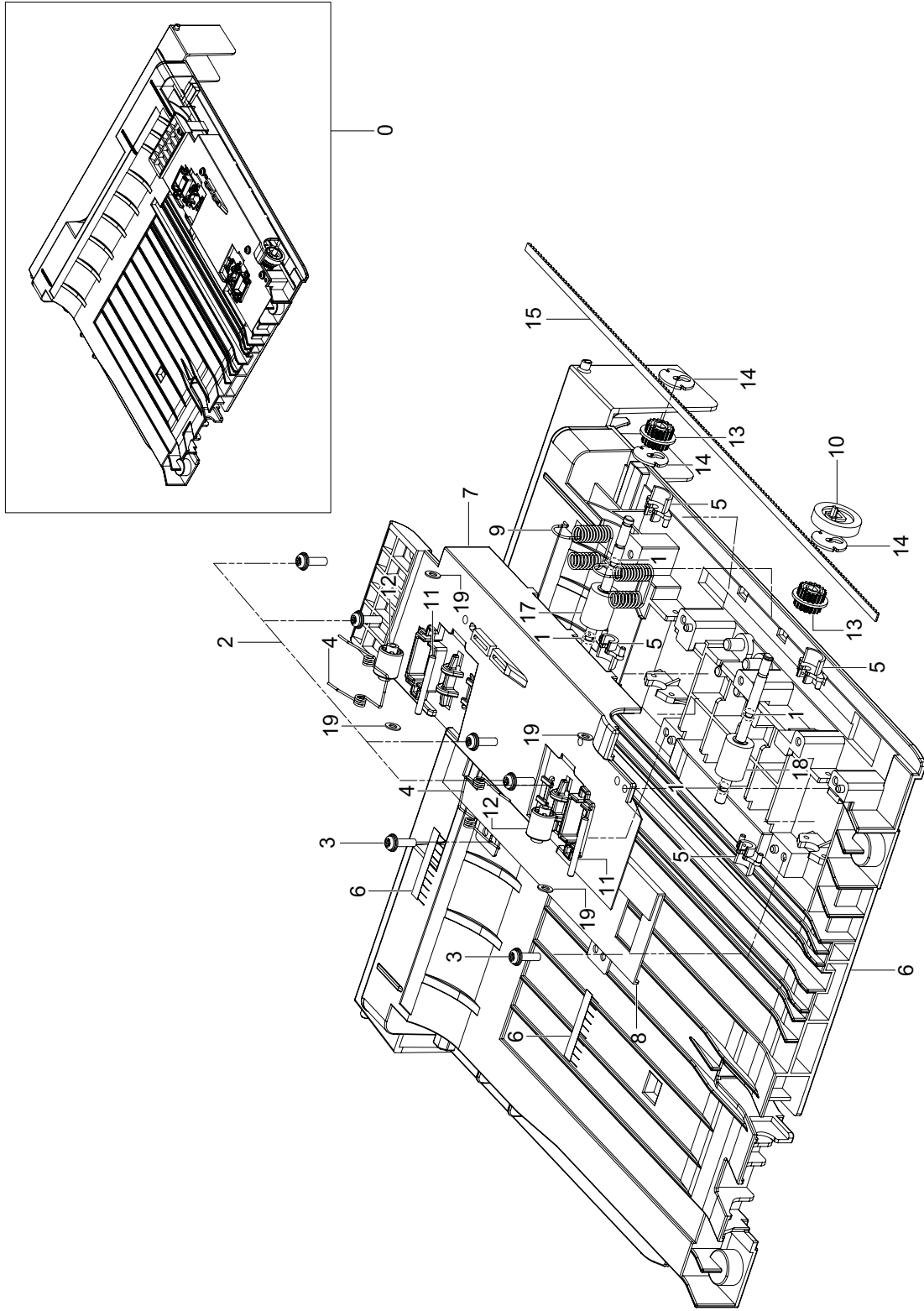
FUSER Parts List

SA : SERVICE AVAILABLE, SNA : SERVICE not AVAILABLE

Drawing#	Dell_code	SEC_code	Description	Qty	Service	Remark
0	KW449	JC96-05063B	ELA UNIT-FUSER(110V)	1	SA	
0	KW450	JC96-05064B	ELA UNIT-FUSER(220V)	1	SA	
1		JC97-03164A	MEA UNIT-DOOR FUSER	1	SNA	
1-1		JC66-01423A	ACTUATOR-EXIT	1	SNA	
1-2		JC61-02158A	BUSH-TX	3	SNA	
1-3		JC66-01583A	GEAR-EXIT	1	SNA	
1-4		JC61-01955A	GUIDE-REAR	1	SNA	
1-5		JC61-01625A	HOLDER-M_REAR_LEVER	1	SNA	
1-6		JC73-00259A	4712-001084	2	SNA	
1-7		JC66-01584A	SHAFT-EXIT_FUP	1	SNA	
1-8		JC61-70903A	SPRING ETC-ACTUATOR	1	SNA	
1-9		6107-001237	SPRING-ES	1	SNA	
1-10		JC68-01581A	LABEL(P)-CAUTION HOT	1	SNA	
2		6601-001479	BEARING-BALL	2	SNA	
3		1404-001364	THERMISTOR-NTC ASSY	1	SNA	
4		4712-001084	THERMOSTAT	1	SNA	
5		4713-001207	LAMP-HALOGEN (110V)	1	SNA	
5		4713-001208	LAMP-HALOGEN (220V)	1	SNA	
6		6003-000196	SCREW-TAPTITE	3	SNA	
7		6003-000269	SCREW-TAPTITE	5	SNA	
8		6003-000282	SCREW-TAPTITE	5	SNA	
9		6107-001267	SPRING-CS	2	SNA	
10		6107-001246	SPRING-CS	2	SNA	
11		6107-001159	SPRING-TS	2	SNA	
12		6044-000231	RING-E	2	SNA	
13		6044-000125	RING-E	4	SNA	
14		JC75-00095A	MEC-BRUSH ANTISTATIC	1	SNA	
15		JC72-20902A	PEX-ROLLER F/UP(2)	5	SNA	

Drawing#	Dell_code	SEC_code	Description	Qty	Service	Remark
16		JC70-20901A	IEX-SHAFT IDLE,F/UP	5	SNA	
17		JC70-00538A	ELECTRODE-EARTH_UPPER	1	SNA	
18		JC68-00408A	LABEL(R)-LV FUSER (110V)	1	SNA	
18		JC68-00409A	LABEL(R)-HV FUSER (220V)	1	SNA	
19		2205-000005	GREASE-BEARING	0.1	SNA	
20		JC67-00254A	CAP-LAMP_R	1	SNA	
21		JC67-00253A	CAP-LAMP_L	1	SNA	
22		JC66-01593B	ROLLER-HEAT	1	SNA	
23		JC66-01588A	GEAR-FUSER	1	SNA	
24		JC66-01453A	ROLLER-PRESSURE	1	SNA	
25		JC66-01424A	LEVER-LINK_JAM	2	SNA	
26		JC66-01153A	GEAR-IDLE 23 FUSER	2	SNA	
27		JC66-01079A	ROLLER-PRESSURE	1	SNA	
28		JC63-01961A	GROUND-PR_FUSER	1	SNA	
29		JC63-01347A	COVER-FUSER_UPPER	1	SNA	
30		JC61-02631A	GUIDE-GROUND_PR	1	SNA	
31		JC61-02156A	BRACKET-FUSER	1	SNA	
32		JC61-02154A	GUIDE-CLAW	4	SNA	
33		JC61-01977A	HOLDER-JAM	2	SNA	
34		JC61-01961A	BUSH-PR_2ND	2	SNA	
35		JC61-01960A	BUSH-PR_1ST	2	SNA	
36		JC61-01958A	BUSH-HR	2	SNA	
37		JC61-01950A	SPRING ETC-CLAW	4	SNA	
38		JC61-01949A	GUIDE-INPUT	1	SNA	
39		JC61-01948A	FRAME-FUSER	1	SNA	
40		JC39-00521A	CBF HARNESS-FUSER REC	1	SNA	
41		JC39-00520A	CBF HARNESS-FUSER CON	1	SNA	

6. MEA UNIT-DUPLEX



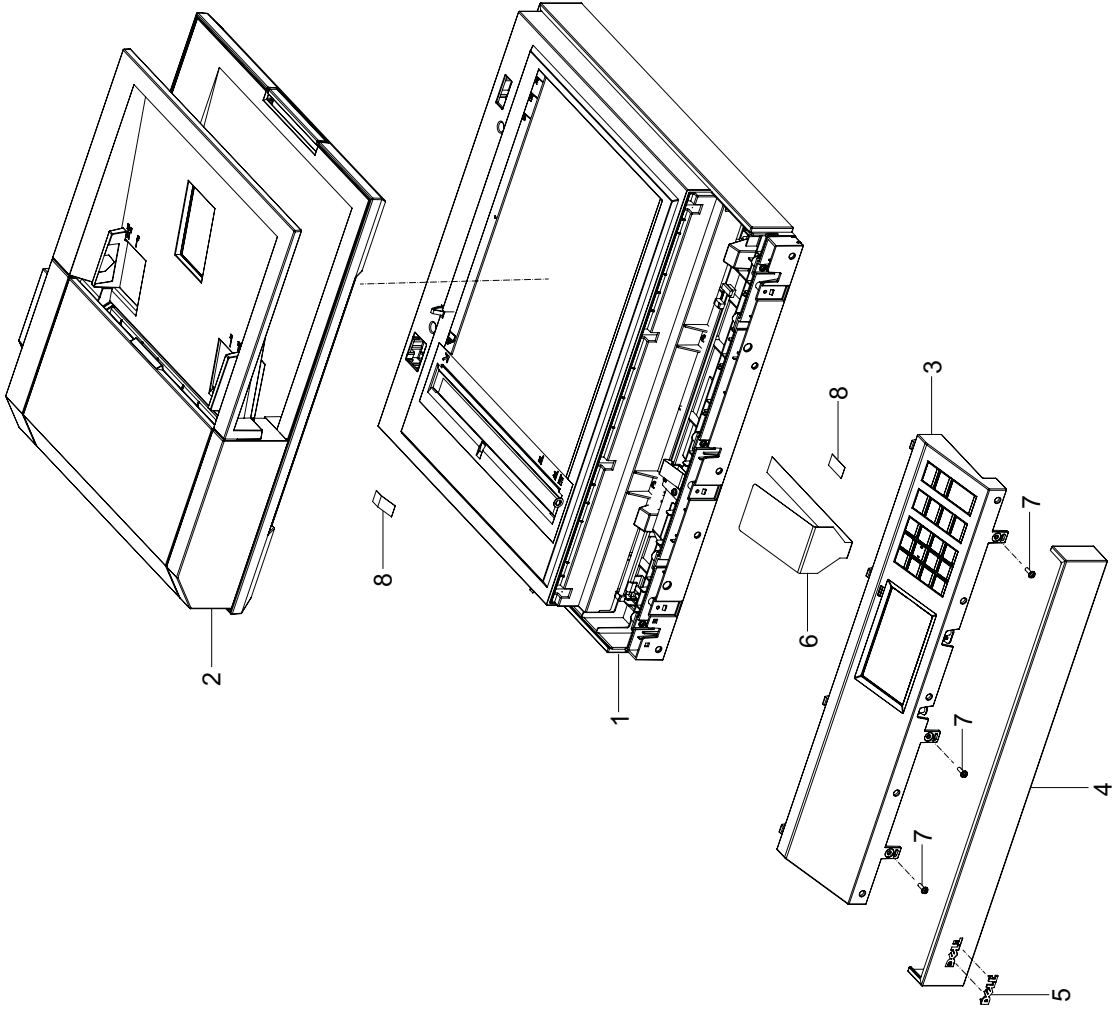
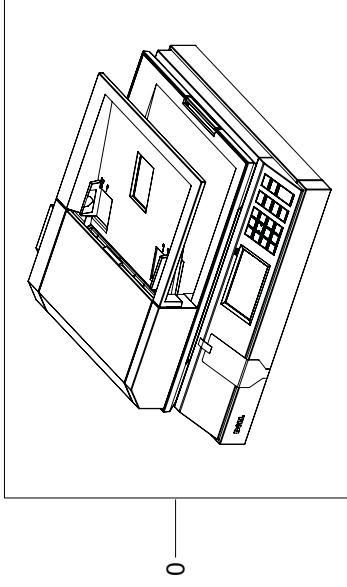
MEA UNIT-DUPLEX Parts List

SA : SERVICE AVAILABLE, SNA : SERVICE not AVAILABLE

Drawing#	Dell_code	SEC_code	Description	Qty	Service	Remark
0		JC97-02393B	MEA UNIT-DUPLEX	1	SA	
1		0205-001003	GREASE-BEARING	0.001	SNA	
2		6003-000196	SCREW-TAPTITE	2	SNA	
3		6003-000196	SCREW-TAPTITE	4	SNA	
4		6107-001156	SPRING-TS	2	SNA	
5		JC61-00665A	BUSH-M-FEED, DUP	4	SNA	
6		JC61-01594B	FRAME-M_DUP	1	SNA	
7		JC61-01595A	GUIDE-M_UPPER DUP	1	SNA	
8		JC61-01596A	BRACKET-P-ALIGN DUP	1	SNA	
9		JC65-00017A	TERMINAL-P-GND DUP	2	SNA	

Drawing#	Dell_code	SEC_code	Description	Qty	Service	Remark
10		JC66-00038A	GEAR-EXIT F/DOWN	1	SNA	
11		JC66-00444A	SHAFT-IDLE ROLL, DUP	2	SNA	
12		JC66-00896A	ROLLER-M-IDLE_DUP	2	SNA	
13		JC66-00899A	PULLEY-18_DUP	2	SNA	
14		JC66-00900A	PULLEY-M-18-DUMMY_DUP	3	SNA	
15		JC66-20901A	BELT-TIMMING	1	SNA	
16		JC67-00205A	BRUSH-DUPLEX	2	SNA	
17		JC96-04983A	ELA UNIT-ROLLER_DUP	1	SNA	
18		JC96-04983B	ELA UNIT-ROLLER_DUP2	1	SNA	
19		JK72-00058A	PCT-SILP WASHER	4	SNA	

7. SCANNER



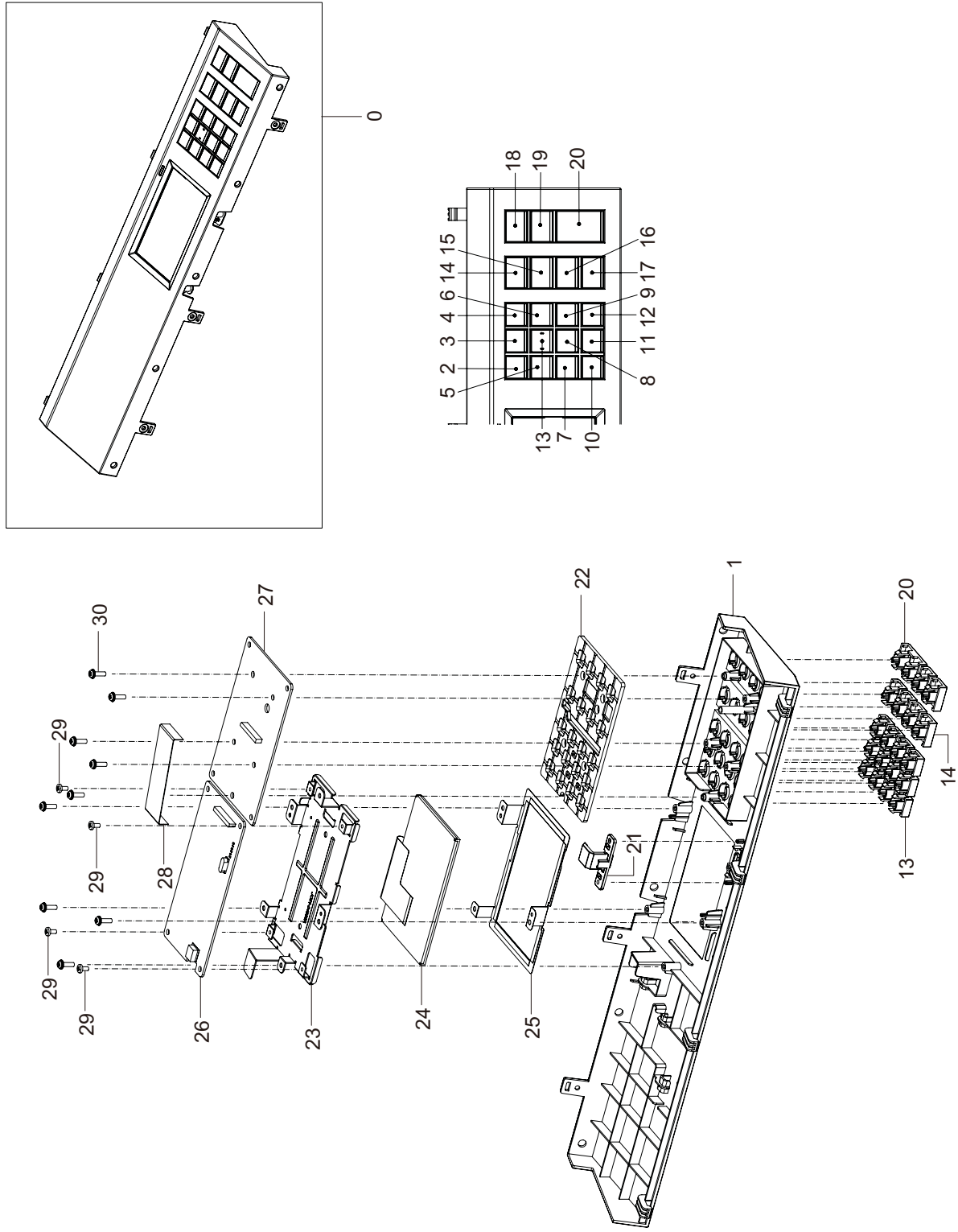
SCANNER Parts List

SA : SERVICE AVAILABLE, SNA : SERVICE not AVAILABLE

Drawing#	Dell_ code	SEC_code	Description	Qty	Service	Remark
0		JC97-03865A	SCANNER	1	SNA	
0		JC97-03865B	SCANNER	1	SNA	
1		JC96-05184A	ELA HOU-DADF	1	SA	
2		JC97-03846A	PLATEN	1	SNA	
3		JC97-03848A	OPE	1	SA	
3		JC97-03848B	OPE	1	SA	

Drawing#	Dell_ code	SEC_code	Description	Qty	Service	Remark
4		JC63-02807A	COVER-SCAN BAND F	1	SNA	
5		JC64-00440A	BADGE-DELL	1	SNA	
6		JC68-01685B	LABEL-INFORMATION	1	SNA	
7		6003-000196	SCREW-TAPTYPE	3	SA	
8		0203-001159	TAPE-FILAMENT	0.05	SNA	

7.1 OPE



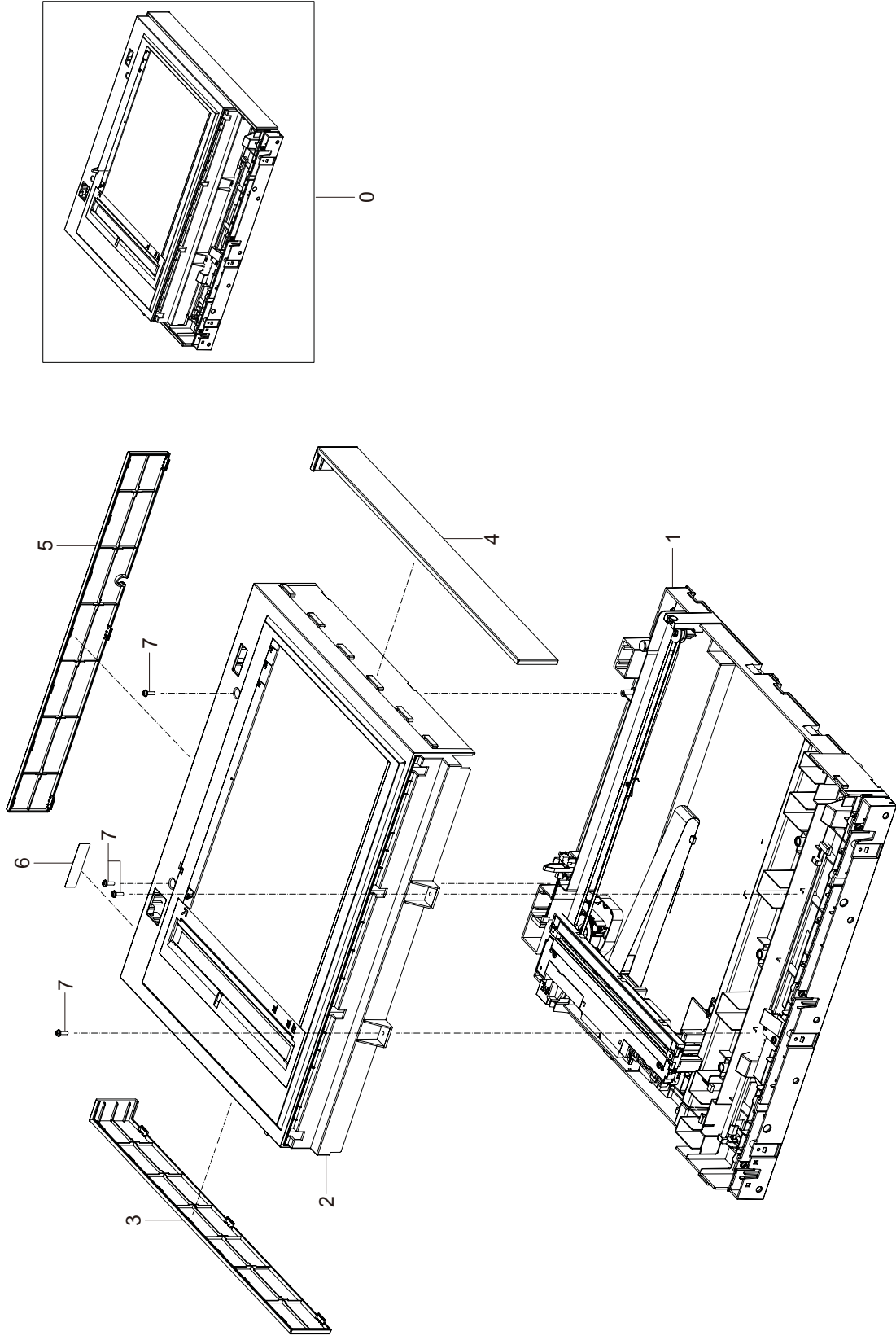
OPE Parts List

SA : SERVICE AVAILABLE, SNA : SERVICE not AVAILABLE

Drawing#	Dell_code	SEC_code	Description	Qty	Service	Remark
0		JC97-03848A	OPE	1	SA	A type: Text/icon
0		JC97-03848B	OPE	1	SA	B type: icon
1		JC63-02809A	COVER-OPE	1	SNA	
2		JC64-00396A	KEY-NUMERICAL	1	SNA	
3		JC64-00396B	KEY-NUMERICAL	1	SNA	
4		JC64-00396C	KEY-NUMERICAL	1	SNA	
5		JC64-00396D	KEY-NUMERICAL	1	SNA	
6		JC64-00396E	KEY-NUMERICAL	1	SNA	
7		JC64-00396F	KEY-NUMERICAL	1	SNA	
8		JC64-00396G	KEY-NUMERICAL	1	SNA	
9		JC64-00396H	KEY-NUMERICAL	1	SNA	
10		JC64-00396J	KEY-NUMERICAL	1	SNA	
11		JC64-00396K	KEY-NUMERICAL	1	SNA	
12		JC64-00396L	KEY-NUMERICAL	1	SNA	
13		JC64-00395A	KEY-BLIND DOT	1	SNA	
14		JC64-00593A	KEY-FUNCTION	1	SNA	A type
14		JC64-00593G	KEY-FUNCTION	1	SNA	B type
15		JC64-00593B	KEY-FUNCTION	1	SNA	A type
15		JC64-00593H	KEY-FUNCTION	1	SNA	B type
16		JC64-00593C	KEY-FUNCTION	1	SNA	A type

Drawing#	Dell_code	SEC_code	Description	Qty	Service	Remark
16		JC64-00593J	KEY-FUNCTION	1	SNA	B type
17		JC64-00593D	KEY-FUNCTION	1	SNA	A type
17		JC64-00593K	KEY-FUNCTION	1	SNA	B type
18		JC64-00593E	KEY-FUNCTION	1	SNA	A type
18		JC64-00593L	KEY-FUNCTION	1	SNA	B type
19		JC64-00593F	KEY-FUNCTION	1	SNA	A type
19		JC64-00593M	KEY-FUNCTION	1	SNA	B type
20		JC64-00594A	KEY-START	1	SNA	A type
20		JC64-00594B	KEY-START	1	SNA	B type
21		JC67-00482A	LENS-STATUS	1	SNA	
22		JC73-00331A	RUBBER-OPE KEY	1	SNA	
23		JC97-03847A	OPE-FRAME LCD	1	SNA	
24		JC07-00017A	LCD	1	SA	
25		JC97-03850A	OPE-FRAME LCD SUB	1	SNA	
26		JC92-02324A	PBA-OPE	1	SA	
27		JC92-02323A	PBA-OPE KEY	1	SA	
28		JC39-01406A	FLAT CABLE	1	SNA	
29		6003-000269	SCREW-TAPTYPE	4	SA	
30		6003-000196	SCREW-TAPTYPE	10	SA	

7.2 PLATEN



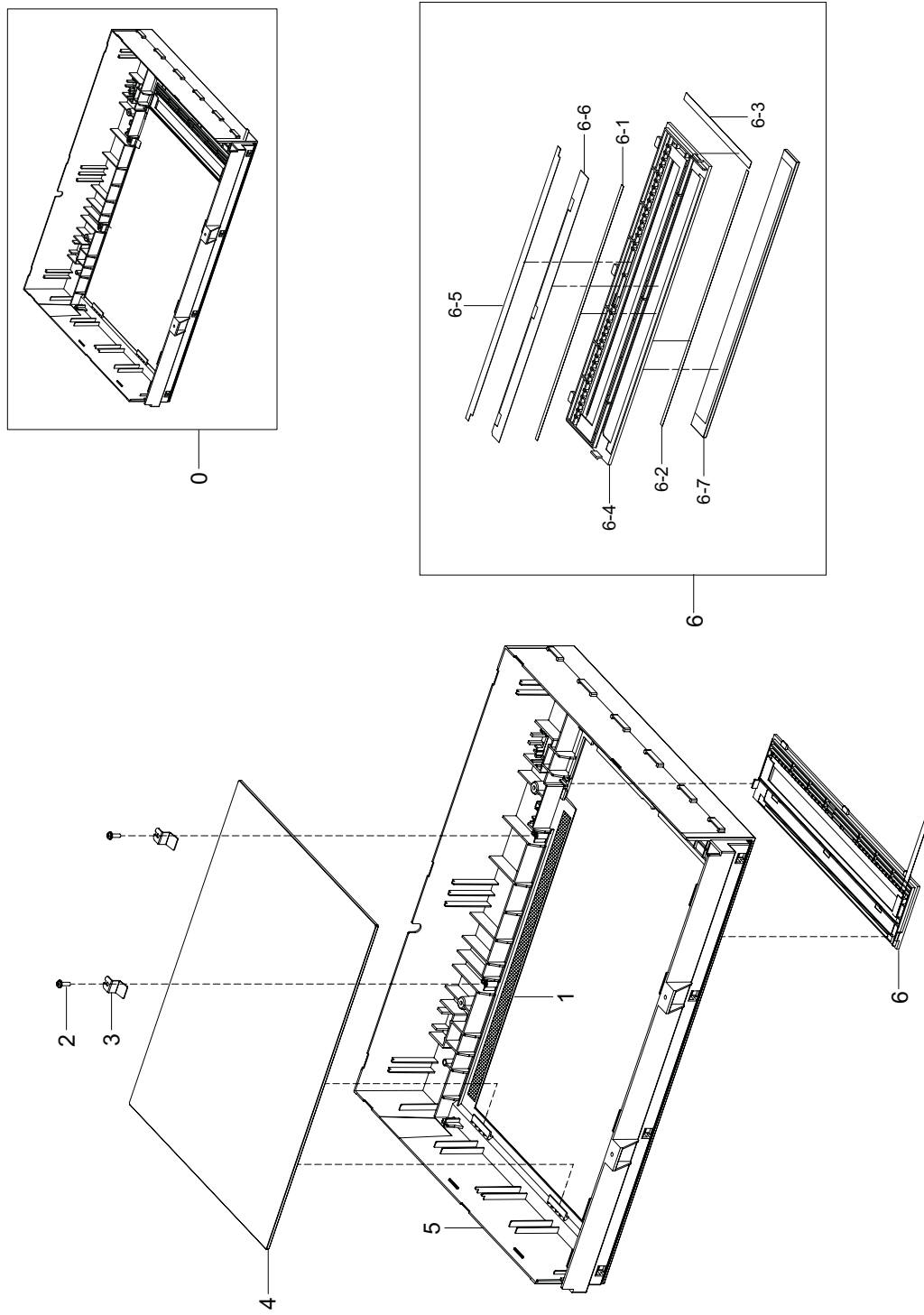
PLATEN Parts List

SA : SERVICE AVAILABLE, SNA : SERVICE not AVAILABLE

Drawing#	Dell_code	SEC_code	Description	Qty	Service	Remark
0		JC97-03846A	PLATEN	1	SNA	
1		JC97-03849A	PLATEN-LOWER	1	SNA	
2		JC97-03283A	MEA-SCAN UPPER	1	SA	
3		JC63-01827A	COVER-SCAN BAND L	1	SNA	

Drawing#	Dell_code	SEC_code	Description	Qty	Service	Remark
4		JC63-01828A	COVER-SCAN BAND R	1	SNA	
5		JC63-01829A	COVER-SCAN BAND REAR	1	SNA	
6		JC68-01381B	LABEL(R)-PPID(DEVE)	1	SNA	
7		6003-000196	SCREW-TAPTYPE	4	SA	

7.2.1 MEA-SCAN UPPER



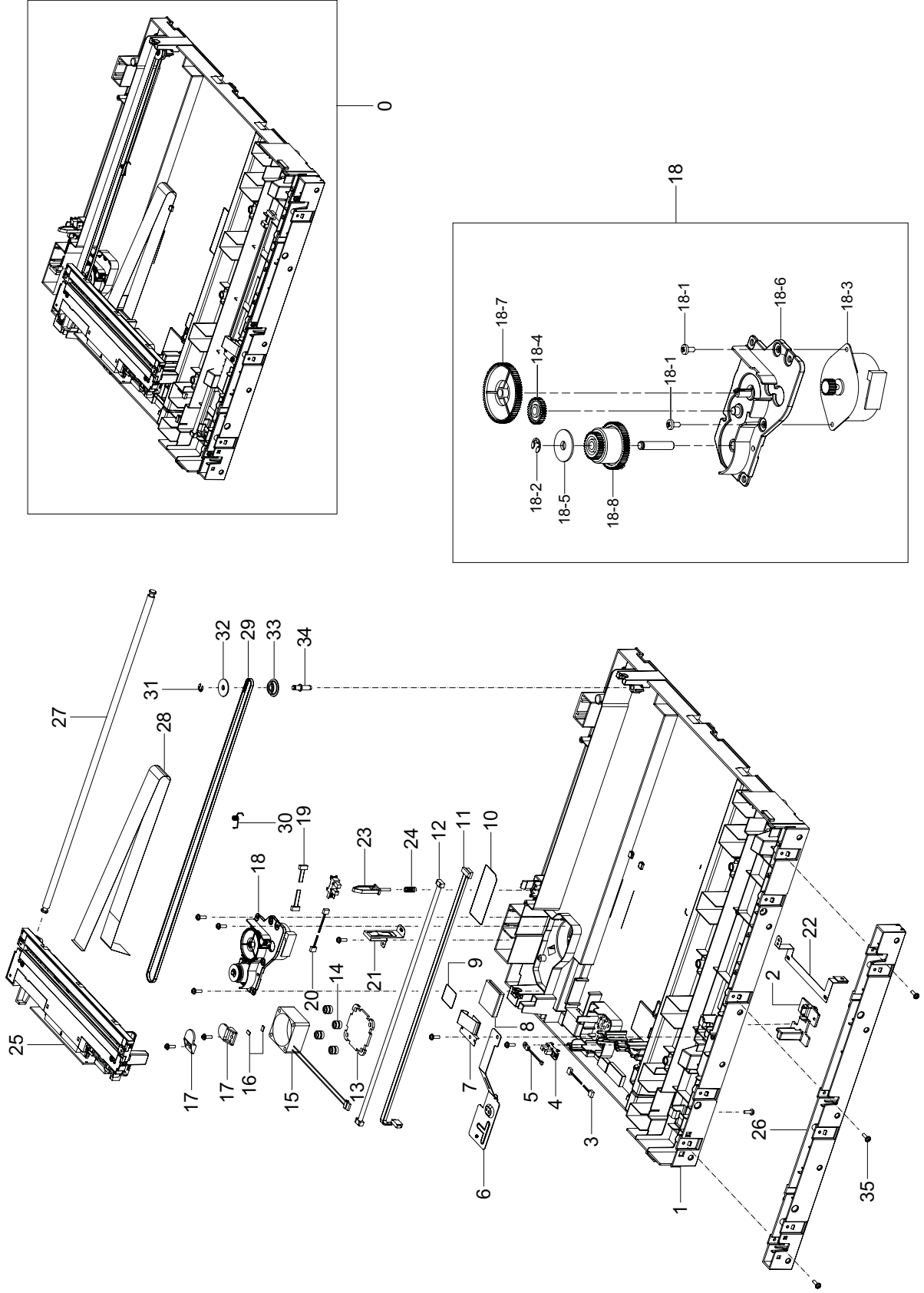
MEA-SCAN UPPER Parts List

SA : SERVICE AVAILABLE, SNA : SERVICE not AVAILABLE

Drawing#	Dell_code	SEC_code	Description	Qty	Service	Remark
0		JC97-03283A	MEA-SCAN UPPER	1	SNA	
1		0203-001267	TAPE-DOUBLE FACE	1	SNA	
2		6003-000196	SCREW-TAPTITE	1	SNA	
3		JB70-00148A	IPR-HOLDER GLASS	1	SNA	
4		JC01-00001A	GLASS-SCAN	1	SNA	
5		JC63-01831A	COVER-SCAN UPPER	1	SNA	
6		JC97-03281A	MEA-SCAN DUMMY UPPER	1	SNA	
6-1		0203-001266	TAPE-DOUBLE FACE	1	SNA	

Drawing#	Dell_code	SEC_code	Description	Qty	Service	Remark
6-2		0203-001744	TAPE-DOUBLE FACE	1	SNA	
6-3		JC02-00013A	TAPE ETC-DOUBLE TAPE SMALL	1	SNA	
6-4		JC63-00152J	COVER-SCAN DUMMY	1	SNA	
6-5		JC63-01152A	SHEET-ADF GLASS	1	SNA	
6-6		JC63-01674A	SHEET-SHADING	1	SNA	
6-7		JC74-00021A	MCT-GLASS ADF	1	SNA	

7.2.2 PLATEN-LOWER



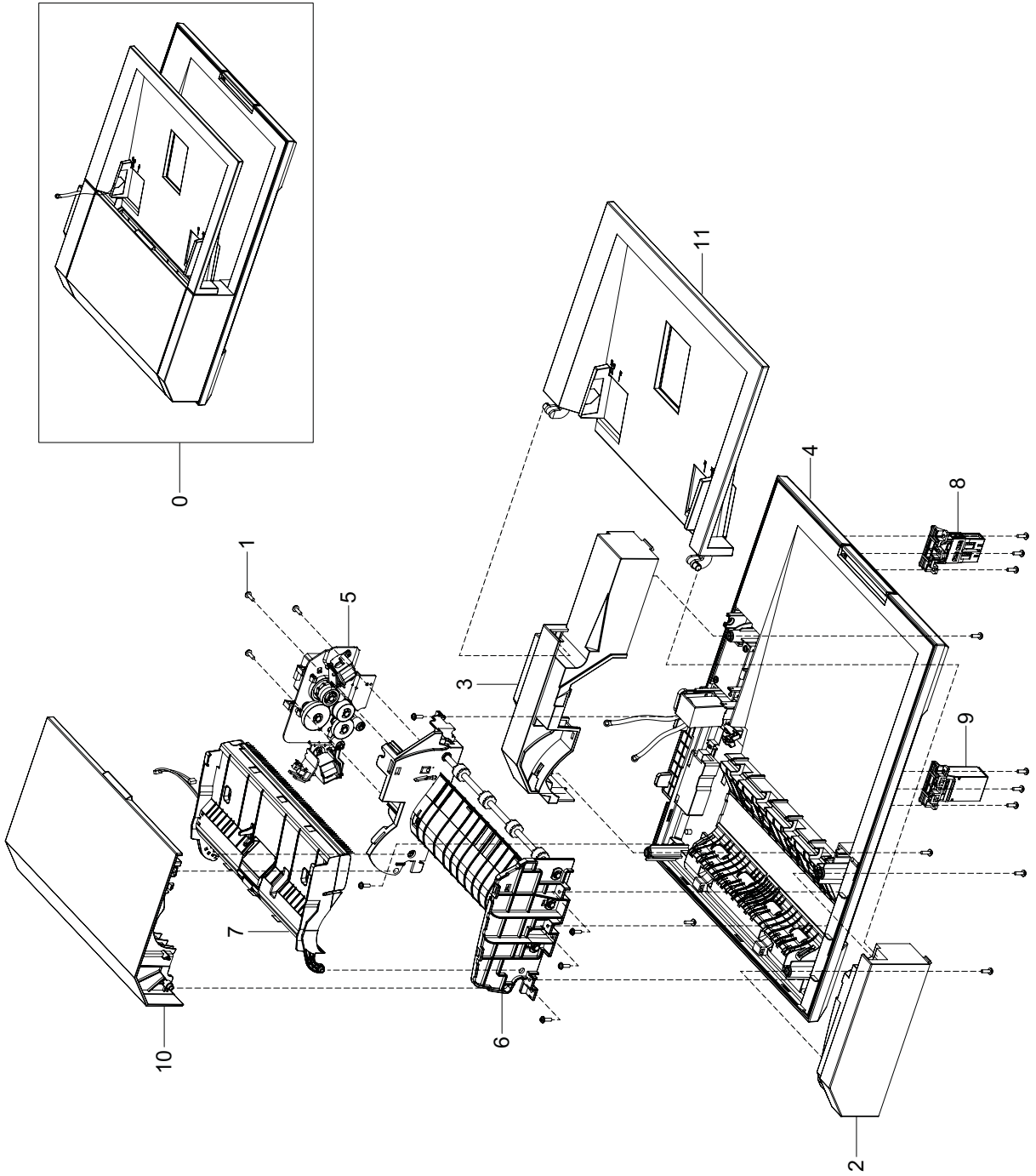
PLATEN-LOWER Parts List

SA : SERVICE AVAILABLE, SNA : SERVICE not AVAILABLE

Drawing#	Dell_code	SEC_code	Description	Qty	Service	Remark
0		JC97-03849A	PLATEN-LOWER	1	SNA	
1		JC63-01830A	COVER-SCAN LOWER	1	SNA	
2		JC61-02535A	HOLDER-CCD	1	SNA	
3		JC61-04007A	PLATE-ENGINE LCD	1	SNA	
4		0604-001095	PHOTO-INTERRUPTER	2	SA	
5		1404-001417	THERMISTOR-NTC ASSY	1	SA	
6		JC61-04007A	PLATE-ENGINE LCD	1	SNA	
7		JC63-02044A	GROUND-PLATE LCD	1	SNA	
8		JC96-04726A	ELA UNIT-CORE	1	SA	
9		JC68-02148A	LABEL-INFORMATION	1	SNA	
10		JC68-02139A	LABEL-CAUTION	1	SNA	
11		JC39-01408A	HARNES- OPE MAIN	1	SA	
12		JC39-01421A	HARNES-USB OPE	1	SA	
13		JC72-01486A	SPONGE-CCDM FAN	1	SNA	
14		JC73-00215A	RUBBER-DAMPER HDD	4	SA	
15		JC31-00085A	FAN-DC	1	SA	
16		JC72-01403A	SPONGE-GUIDE OUTPUT	2	SNA	
17		JC61-00667A	STOPPER-M-FAN80	2	SA	
18		JC96-04918A	ELA HOU-SCAN MOTOR	1	SA	
18-1		6003-000269	SCREW-TAPTITE	2	SNA	
18-2		6044-000125	RING-E	1	SNA	
18-3		JC31-00104A	MOTOR STEP	1	SNA	

Drawing#	Dell_code	SEC_code	Description	Qty	Service	Remark
18-4		JB66-00083A	GEAR-IDLE	1	SNA	
18-5		JB72-00764A	PMO-HOLDER BELT	1	SNA	
18-6		JC61-00895A	BRACKET-SCAN MOTOR R2	1	SNA	
18-7		JC66-00530A	GEAR-REDUCTION73/37	1	SNA	
18-8		JC66-00531A	GEAR-TIMING	1	SNA	
19		JC39-01007A	HARNES-SCAN_MOTOR	1	SNA	
20		JC39-00887A	HARNES-F_COVER_OPEN	1	SA	
21		JC63-01704A	GROUND-HINGE SCAN	1	SNA	
22		JC63-01707A	GROUND-SCAN LOWER	1	SNA	
23		JC72-00755A	PMO-LEVER SENSOR	1	SA	
24		6107-001135	SPRING-CS	1	SA	
25		JC96-03819A	ELA HOU-CCDM_2905	1	SA	
26		JC63-02808A	COVER-SCAN LOWER DMY	1	SNA	
27		JB70-00145A	ICT-SHAFT CCD	1	SNA	
28		JC39-01002A	FLAT CABLE	1	SNA	
29		6602-001067	BELT-TIMING GEAR	1	SA	
30		JB61-00059A	SPRING ETC-BELT	1	SA	
31		6044-000125	RING-E	1	SA	
32		JB72-00764A	PMO-HOLDER BELT	1	SA	
33		JB72-00763A	PMO-PULLEY	1	SA	
34		JB70-00154A	ICT-INSERT SHAFT	1	SNA	
35		6003-000196	SCREW-TAPTYPE	12	SA	

7.3 ELA HOU-DADF



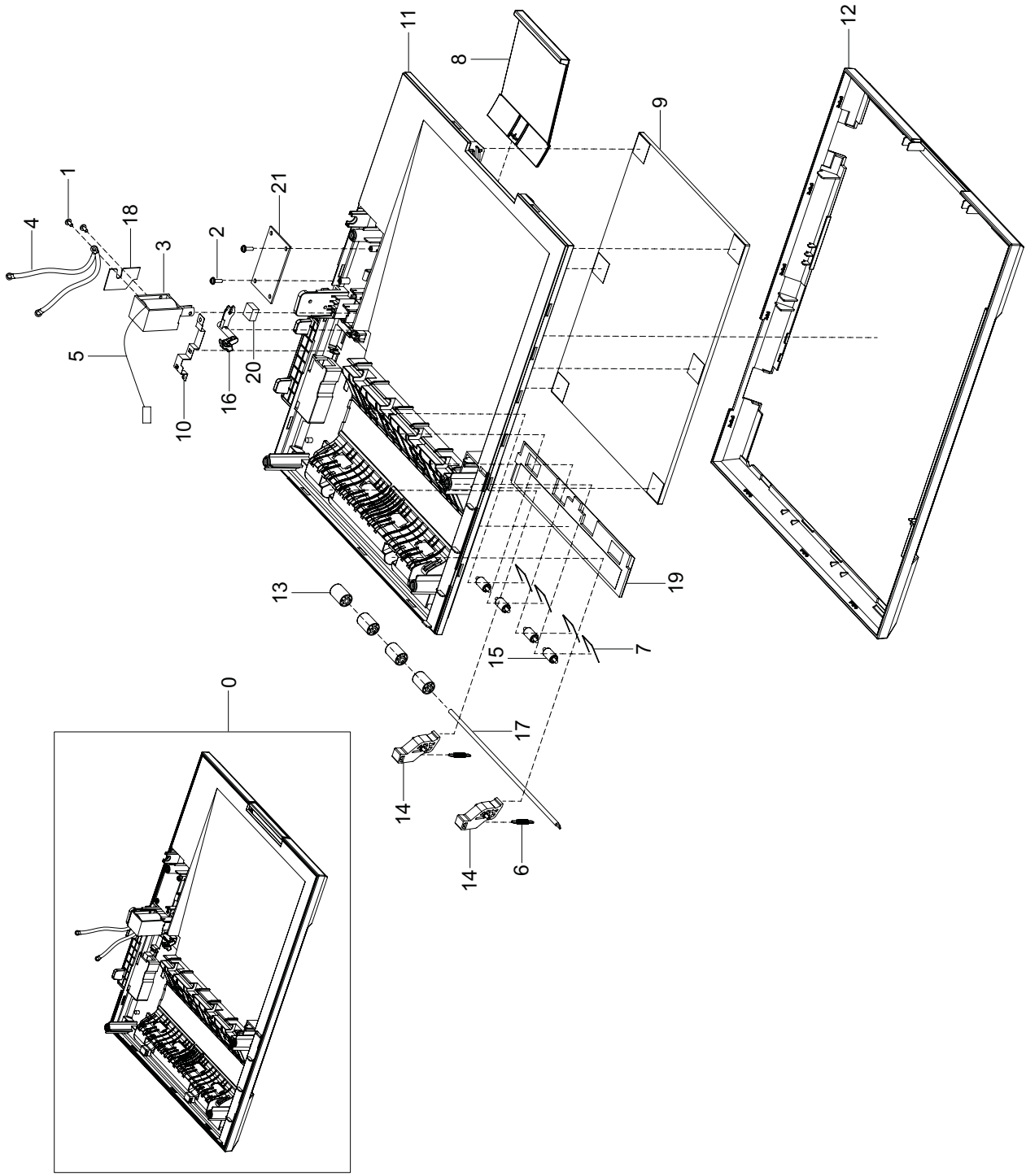
ELA HOU-DADF Parts List

SA : SERVICE AVAILABLE, SNA : SERVICE not AVAILABLE

Drawing#	Dell_code	SEC_code	Description	Qty	Service	Remark
0	KW451	JC96-05184A	ELA HOU-DADF	1	SA	
1		6003-000196	SCREW-TAPTITE	19	SNA	
2		JC63-01807A	COVER-DADF FRONT	1	SNA	
3		JC63-01809A	COVER-DADF REAR	1	SNA	
4		JC96-05183A	ELA HOU-COVER PLATEN	1	SNA	
5		JC96-05185A	ELA HOU-DADF DRV	1	SNA	

Drawing#	Dell_code	SEC_code	Description	Qty	Service	Remark
6		JC96-05186A	ELA HOU-DADF LOWER	1	SNA	
7		JC96-05187A	ELA HOU-DADF UPPER	1	SNA	
8		JC97-02779B	MEA UNIT-HINGE	1	SNA	
9		JC97-03038B	MEA UNIT-HINGE DADF	1	SNA	
10		JC97-03279A	MEA UNIT-COVER OPEN	1	SNA	
11		JC97-03421A	MEA UNIT-STACKER TX	1	SNA	

7.3.1 ELA HOU-COVER PLATEN



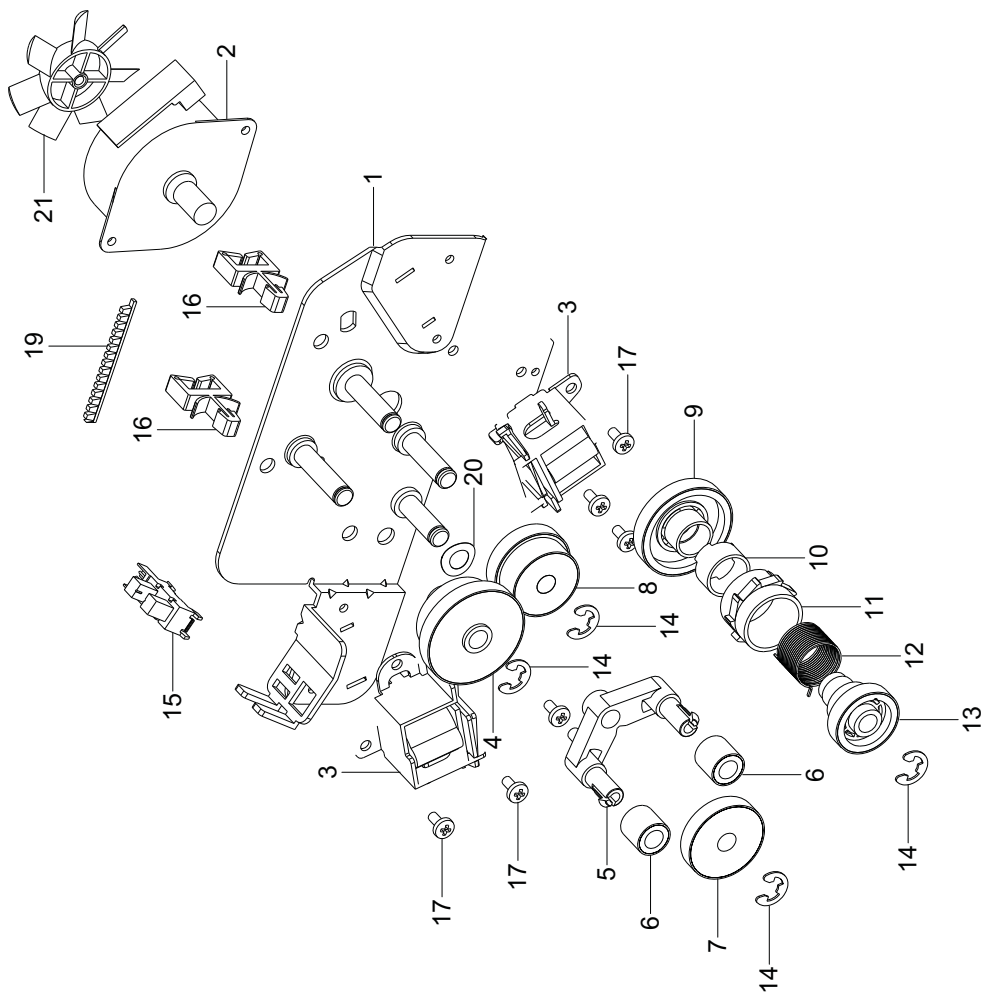
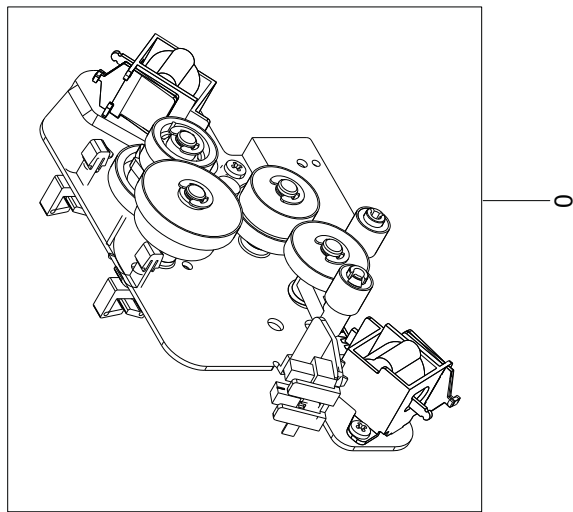
ELA HOU-COVER PLATEN Parts List

SA : SERVICE AVAILABLE, SNA : SERVICE not AVAILABLE

Drawing#	Dell_code	SEC_code	Description	Qty	Service	Remark
0		JC96-05183A	ELA HOU-COVER PLATEN	1	SNA	
1		6001-000130	SCREW-MACHINE	2	SNA	
2		6003-000196	SCREW-TAPTITE	2	SNA	
3		JC33-00031A	SOLENOID-LIFTING	1	SNA	
4		JC39-00892A	HARNESS-DADF GND	1	SNA	
5		JC39-01008A	HARNESS-DADF	1	SNA	
6		JC61-02427A	SPRING ETC-FEED IDLE	2	SNA	
7		JC61-02429A	SPRING ETC-MID IDLE	4	SNA	
8		JC61-02534A	GUIDE-EXTENSION	1	SNA	
9		JC63-00209A	SHEET-WHITE SPONGE	1	SNA	
10		JC63-01660A	GROUND-PLATEN	1	SNA	

Drawing#	Dell_code	SEC_code	Description	Qty	Service	Remark
11		JC63-01820A	COVER-PLATEN	1	SNA	
12		JC63-01821A	COVER-PLATEN BAND	1	SNA	
13		JC66-01022A	ROLLER-M_IDLE SCF	4	SNA	
14		JC66-01749A	LEVER-JAM_FEED	2	SNA	
15		JC66-01764A	ROLLER-IDLE	4	SNA	
16		JC66-01774A	LEVER-LIFTING_EXIT	1	SNA	
17		JC66-01817A	SHAFT-FEED IDLE	1	SNA	
18		JC69-01327A	PAD-SOLENOID	1	SNA	
19		JC72-01439A	SPONGE-DADF PLATEN	1	SNA	
20		JC72-01471A	SPONGE-DADF LIFTING	1	SNA	
21		JC92-01954A	PBA-DADF	1	SNA	

7.3.2 ELA HOU-DADF DRV



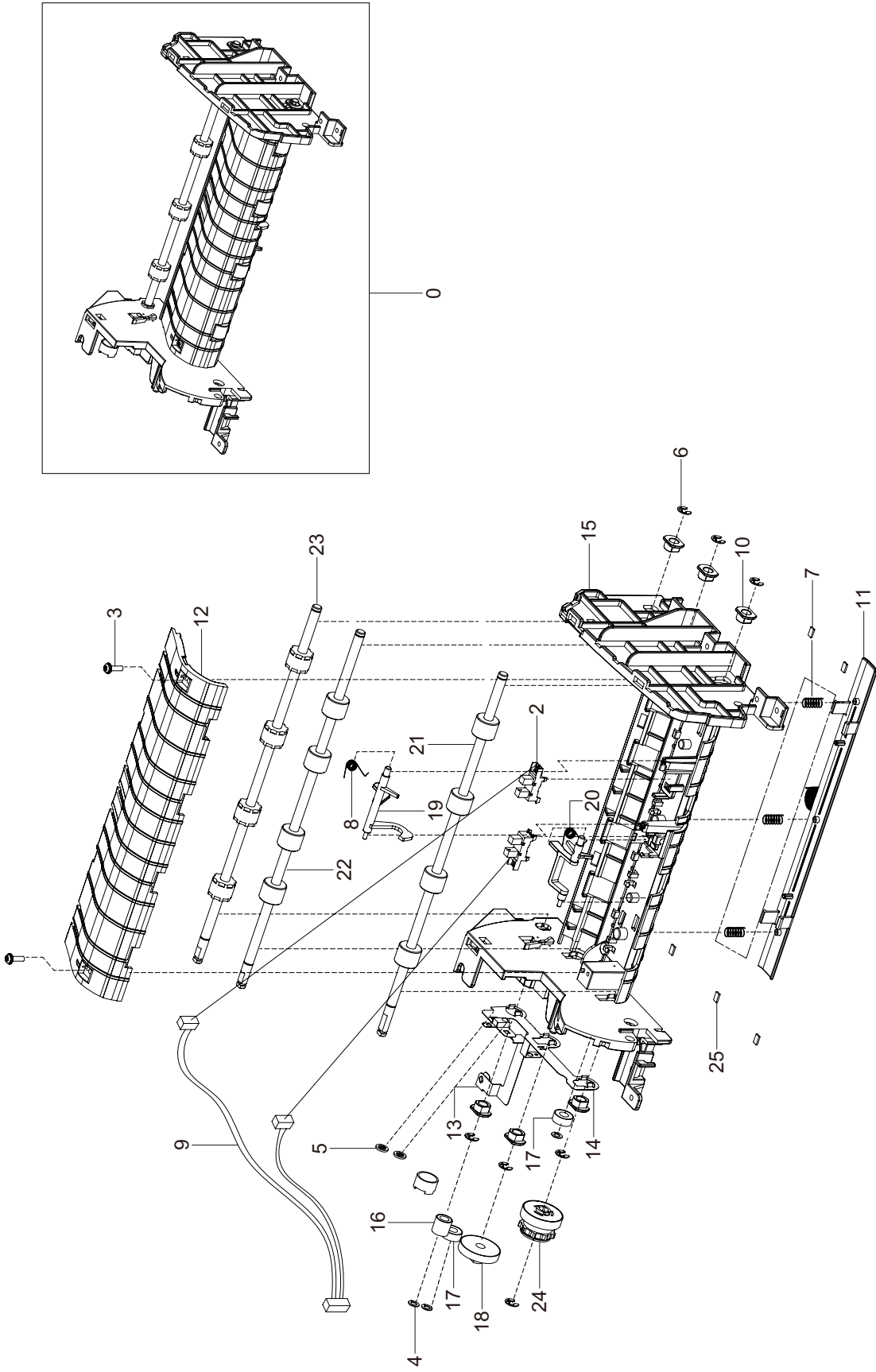
ELA HOU-DADF DRV Parts List

SA : SERVICE AVAILABLE, SNA : SERVICE not AVAILABLE

Drawing#	Dell_code	SEC_code	Description	Qty	Service	Remark
0		JC96-05185A	ELA HOU-DADF DRV	1	SA	
1		JC61-02386B	BRACKET-DRIVE DADF	1	SNA	
2		JC31-00116A	MOTOR STEP	1	SNA	
3		JC33-00030A	SOLENOID-DADF	2	SA	
4		JC66-01758A	GEAR-PICKUP IDLE	1	SA	
5		JC61-02278A	BRACKET-SWING	1	SNA	
6		JC66-01753A	GEAR-FEED IDLE B	1	SA	
7		JC66-01754A	GEAR-FEED IDLE C	2	SA	
8		JC66-01752A	GEAR-FEED IDLE A	1	SA	
9		JC66-01759A	GEAR-PICKUP IDLE LOW	1	SA	
10		JC61-04040A	BUSH-SPRING CLUTCH	1	SNA	

Drawing#	Dell_code	SEC_code	Description	Qty	Service	Remark
11		JC61-02240A	COLLAR-PICKUP	1	SNA	
12		6107-001171	SPRING-TS	1	SA	
13		JC66-01760A	GEAR-PICKUP IDLE UP	1	SA	
14		6044-000231	RING-E	4	SA	
15		0604-001095	PHOTO-INTERRUPTER	1	SA	
16		6502-000132	CABLE CLAMP	2	SNA	
17		6003-000269	SCREW-TAPTYPE	6	SNA	
20		JF70-10616A	IPR-WASHER SPRING CU	1	SNA	
21		JC66-00556A	IMPELLER-ADF	1	SA	
20		6302-001056	GASKET	0.13	SNA	
21		JF70-10616A	IPR-WASHER SPRING CU	1	SNA	

7.3.3 ELA HOU-DADF LOWER



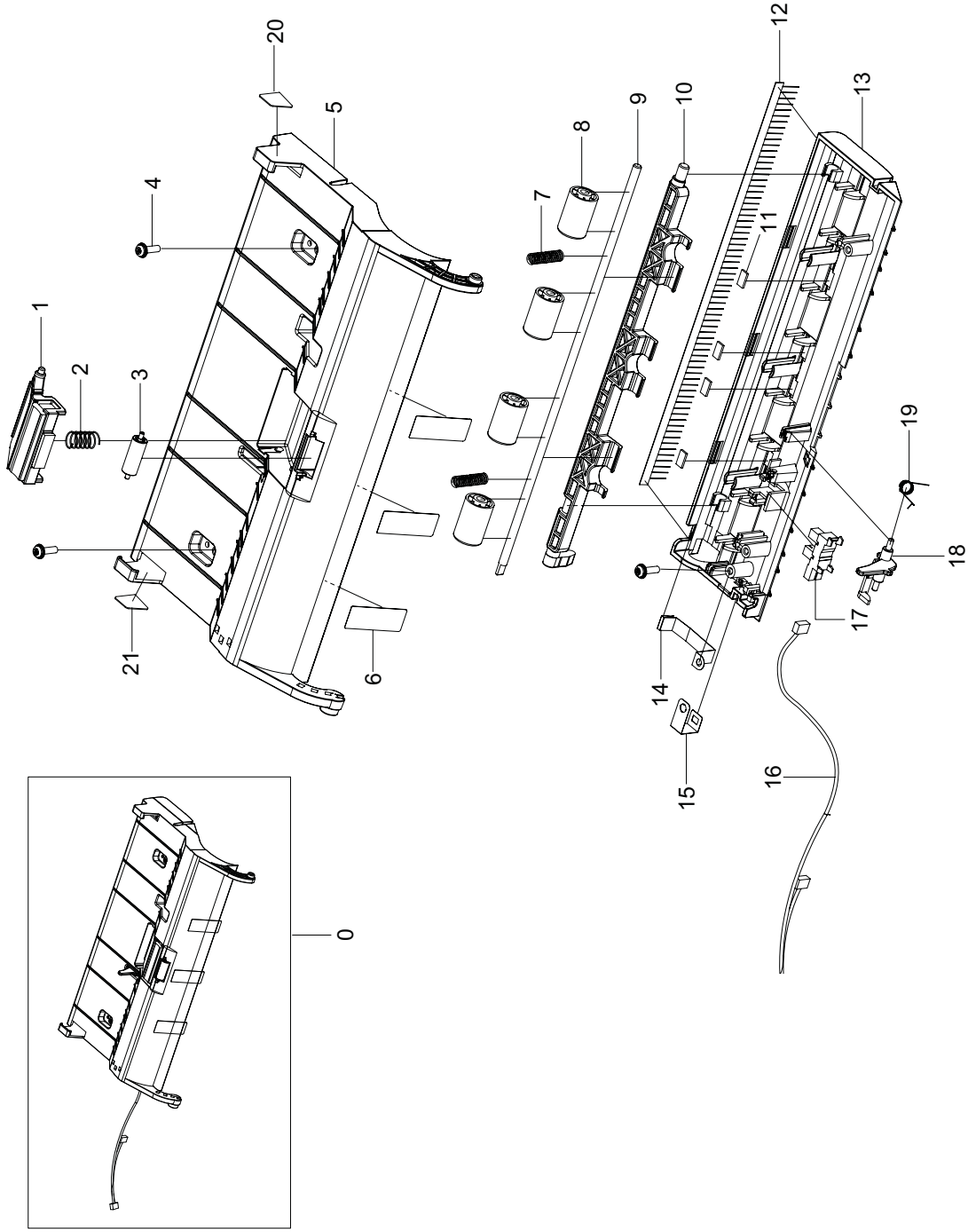
ELA HOU-DADF LOWER Parts List

SA : SERVICE AVAILABLE, SNA : SERVICE not AVAILABLE

Drawing#	Dell_code	SEC_code	Description	Qty	Service	Remark
0		JC96-05186A	ELA HOU-DADF LOWER	1	SNA	
1		0205-001080	GREASE-BEARING	0.5	SNA	
2		0604-001095	PHOTO-INTERRUPTER	2	SNA	
3		6003-000196	SCREW-TAPTITE	2	SNA	
4		6031-001584	WASHER-PLAIN	3	SNA	
5		6044-000001	RING-CS	2	SNA	
6		6044-000125	RING-E	7	SNA	
7		6107-001135	SPRING-CS	3	SNA	
8		JB61-00076A	SPRING ETC-TORSION DOC (CC2-F)	2	SNA	
9		JC39-00853A	HARNES-DADF SENSOR 1	1	SNA	
10		JC61-00423A	BUSH-6_D	6	SNA	
11		JC61-01179A	PLATE-M_WHITE BAR	1	SNA	

Drawing#	Dell_code	SEC_code	Description	Qty	Service	Remark
12		JC63-01597C	COVER-DADF_MIDDLE	1	SNA	
13		JC63-01661A	GROUND-DADF	1	SNA	
14		JC63-01662A	GROUND-FEED EXIT	1	SNA	
15		JC63-01808A	COVER-DADF LOWER	1	SNA	
16		JC66-01754A	GEAR-FEED IDLE C	1	SNA	
17		JC66-01755A	GEAR-FEED IDLE D	2	SNA	
18		JC66-01757A	GEAR-EXIT	2	SNA	
19		JC66-01762A	ACTUATOR-REGI	1	SNA	
20		JC66-01766A	ACTUATOR-FEED	1	SNA	
21		JC66-01822A	ROLLER-MIDDLE	1	SNA	
22		JC66-01823A	ROLLER-FEED	1	SNA	
23		JC66-01824A	ROLLER-EXIT	1	SNA	
24		JC97-03085A	MEA-GEAR FEED	1	SNA	

7.3.4 ELA HOU-DADF_UPPER



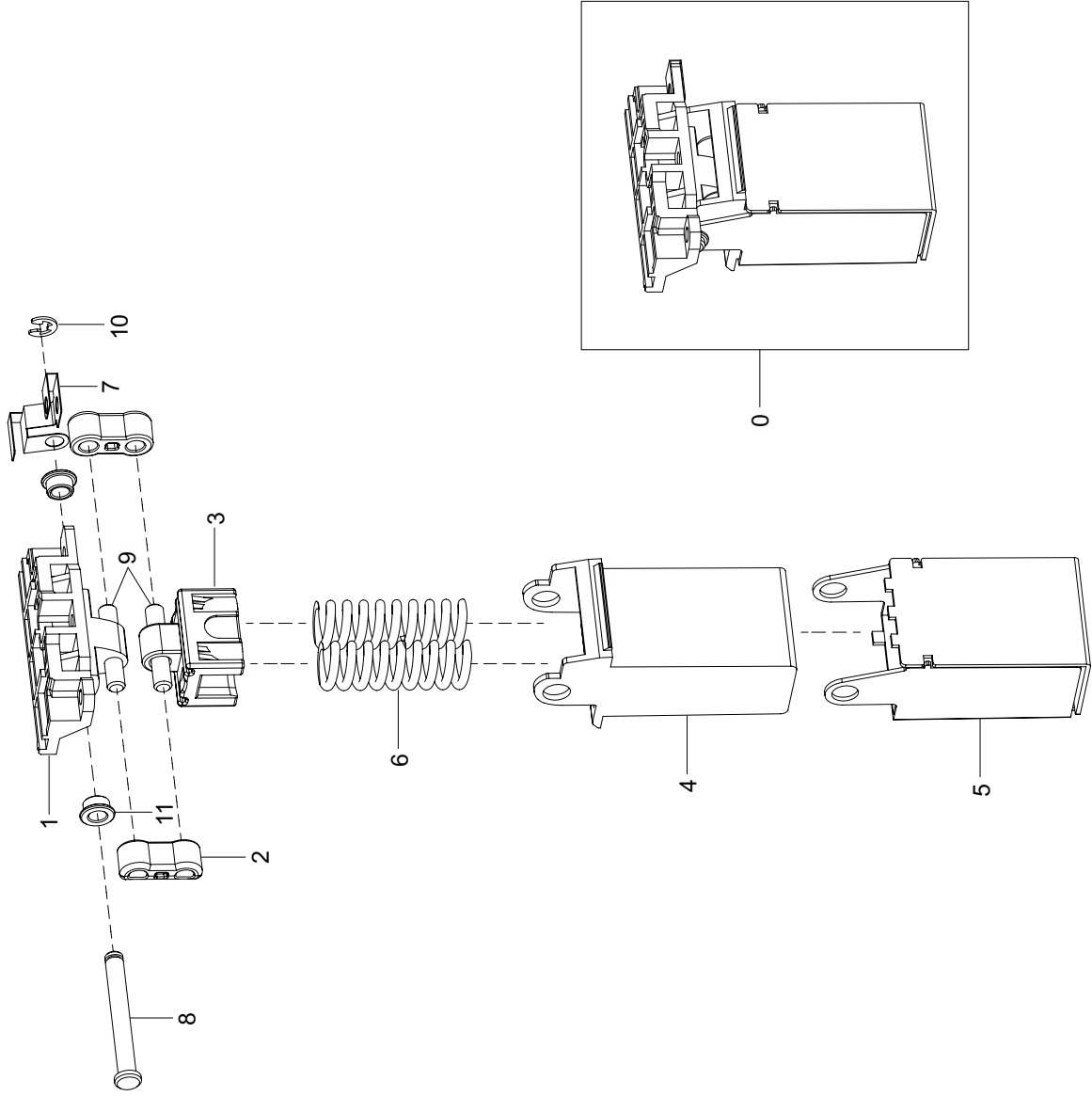
ELA HOU-DADF_UPPER Parts List

SA : SERVICE AVAILABLE, SNA : SERVICE not AVAILABLE

Drawing#	Dell_code	SEC_code	Description	Qty	Service	Remark
0		JC96-05187A	ELA HOU-DADF UPPER	1	SNA	
1	KW462	JC97-03069A	MEA UNIT-DADF RUBBER	1	SA	
2		JC61-00387A	SPRING ETC-PAD	1	SNA	
3		JC66-00461A	ROLLER-M-ADF IDLE	1	SNA	
4		6003-000196	SCREW-TAPTITE	3	SNA	
5		JC63-01610C	COVER-DADF_UPPER TOP	1	SNA	
6		JC63-01776A	SHEET-PATH	3	SNA	
7		JC61-02428A	SPRING ETC-EXIT IDLE	2	SNA	
8		JC66-01022A	ROLLER-M_IDLE SCF	4	SNA	
9		JC66-01817A	SHAFT-FEED IDLE	1	SNA	
10		JC61-02252A	HOLDER-LIFTING_IDLE	1	SNA	
11		JC66-01876A	DAMPER-DADF UPPER	4	SNA	

Drawing#	Dell_code	SEC_code	Description	Qty	Service	Remark
12		JC75-00095A	MEC-BRUSH ANTISTATIC	1	SNA	
13		JC63-01622C	COVER-DADF UPPER BT	1	SNA	
14		JC63-01664A	GROUND-BRUSH	1	SNA	
15		JC63-01663A	GROUND-DADF UPPER	1	SNA	
16		JC39-00853A	HARNES-DADF SENSOR 1	1	SNA	
17		0604-001095	PHOTO-INTERRUPTER	1	SNA	
18		JC66-01765A	ACTUATOR-EMPTY	1	SNA	
19		JB61-00076A	SPRING ETC-TORSION DOC(CC2-F)	1	SNA	
20		JC68-02078B	LABEL-INFORMATION	1	SNA	
21		JC68-02079B	LABEL-INFORMATION	1	SNA	
22		JC39-00322A	CBF-HARNES-SCAN GND	1	SNA	

7.3.5 MEA UNIT-HINGE DADF



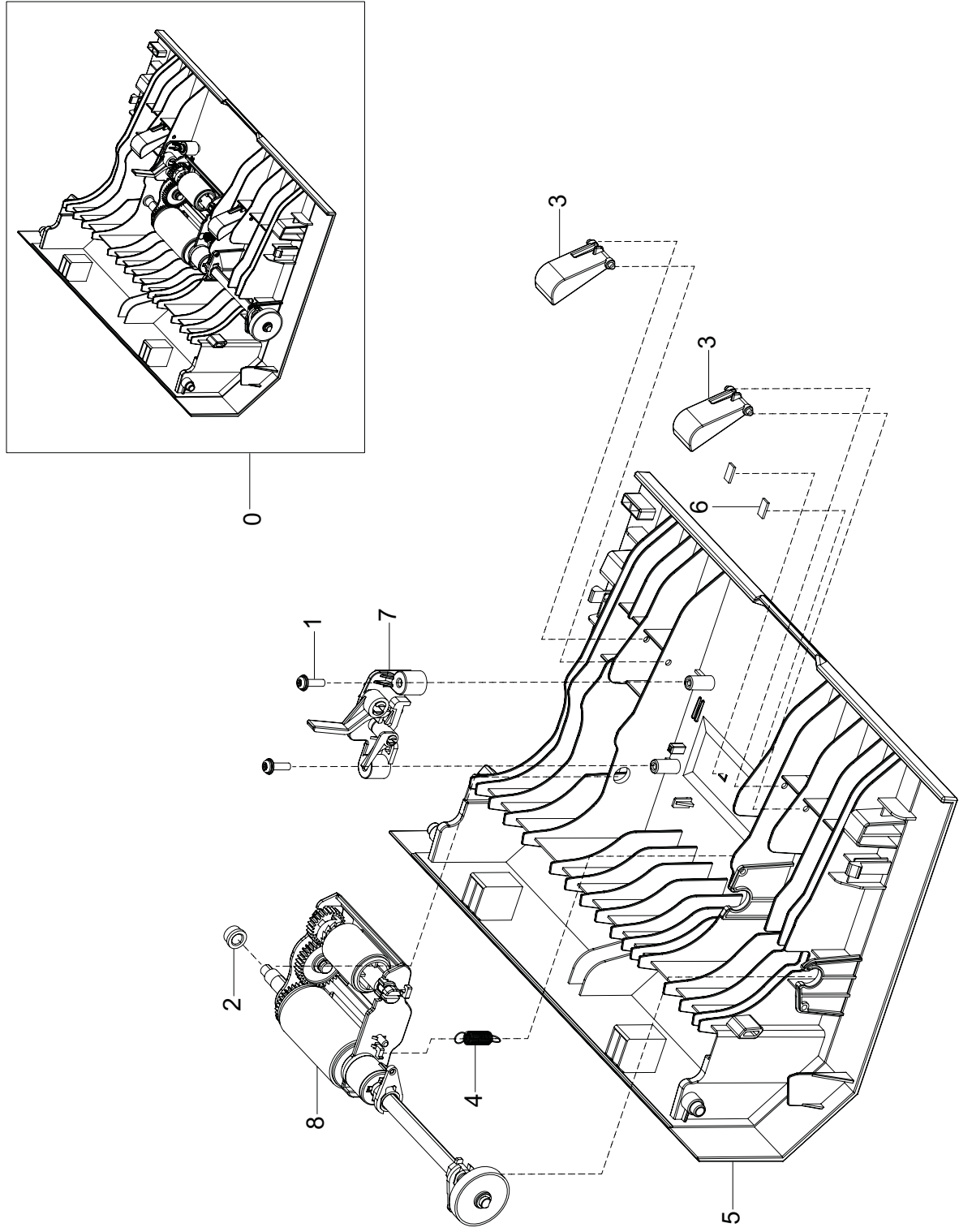
MEA UNIT-HINGE DADF Parts List

SA : SERVICE AVAILABLE, SNA : SERVICE not AVAILABLE

Drawing#	Dell_code	SEC_code	Description	Qty	Service	Remark
0		JC97-03038B	MEA UNIT-HINGE_DADF	1	SNA	
1		JC61-02224B	HINGE-PLATEN	1	SNA	
2		JC61-01432A	HINGE-M_LINK L	2	SNA	
3		JC61-02223A	HINGE-SLIDER	1	SNA	
4		JC61-02248B	HINGE-SCAN	1	SNA	
5		JC61-02183A	HOUSING-HINGE_SCAN	1	SNA	

Drawing#	Dell_code	SEC_code	Description	Qty	Service	Remark
6		6107-001354	SPRING-CS	2	SNA	
7		JC63-01568A	GROUND-HINGE	1	SNA	
8		JC66-01810A	SHAFT-HINGE	1	SNA	
9		JC66-01811A	SHAFT-LINK	2	SNA	
10		6044-000159	RING-C	1	SNA	
11		JC61-01686A	BUSH-4D_FE	2	SNA	

7.3.6 MEA UNIT-COVER OPEN



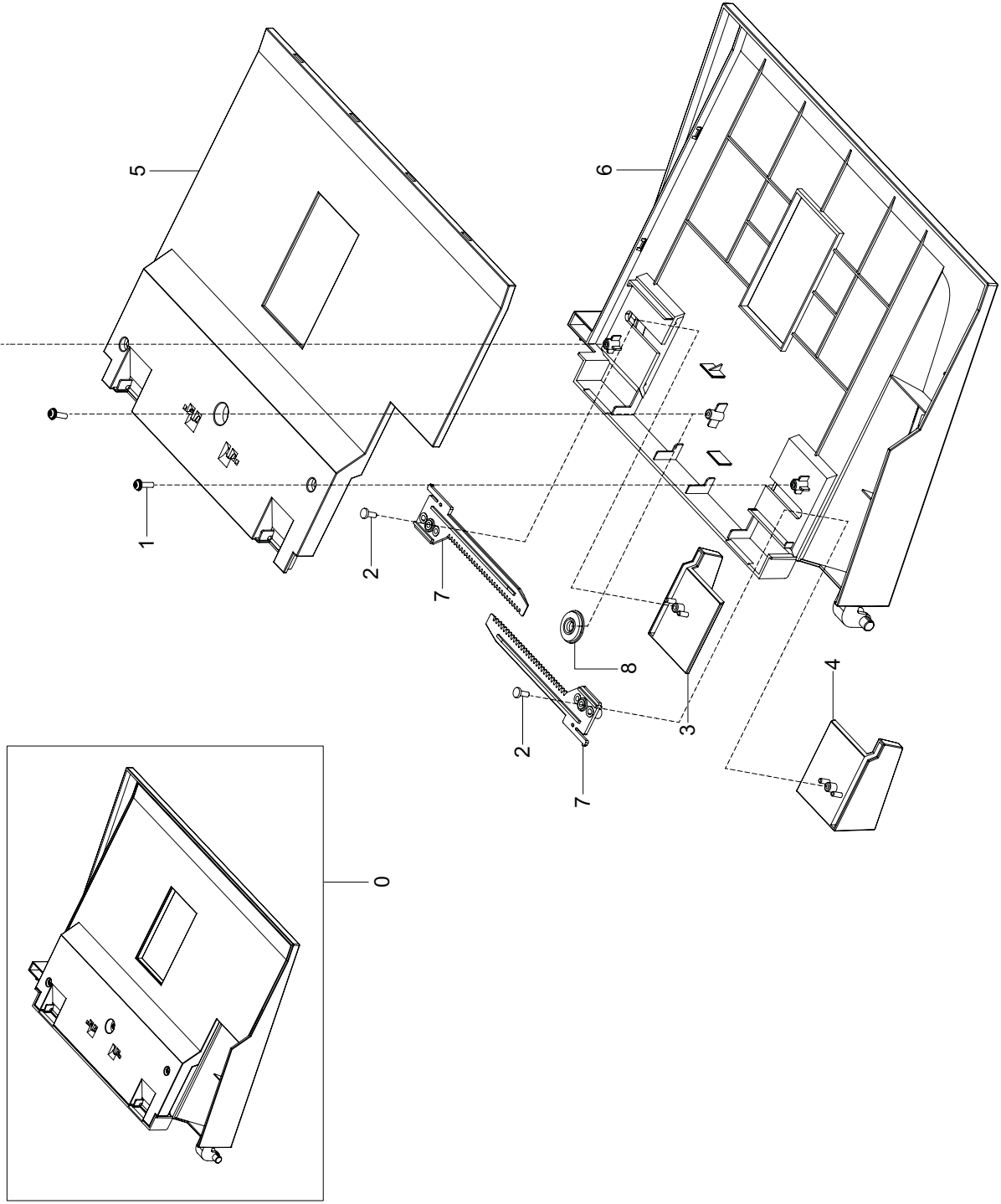
MEA UNIT-COVER OPEN Parts List

SA : SERVICE AVAILABLE, SNA : SERVICE not AVAILABLE

Drawing#	Dell_code	SEC_code	Description	Qty	Service	Remark
0		JC97-03279A	MEA UNIT-COVER OPEN	1	SNA	
1		6003-000196	SCREW-TAPTITE	2	SNA	
2		JB72-00819A	PMO-BUSH	1	SNA	
3		JC61-00788A	GUIDE-M_DOC SENSOR	2	SNA	
4		JC61-02489A	SPRING ETC-PICKUP	1	SNA	

Drawing#	Dell_code	SEC_code	Description	Qty	Service	Remark
5		JC63-01819A	COVER-OPEN	1	SNA	
6		JC66-01876A	DAMPER-DADF UPPER	2	SNA	
7		JC97-03060A	MEA UNIT-STOPPER	1	SNA	
8	KW455	JC97-03070A	MEA UNIT-PICK UP DADF	1	SA	

7.3.7 MEA UNIT-STACKER TX



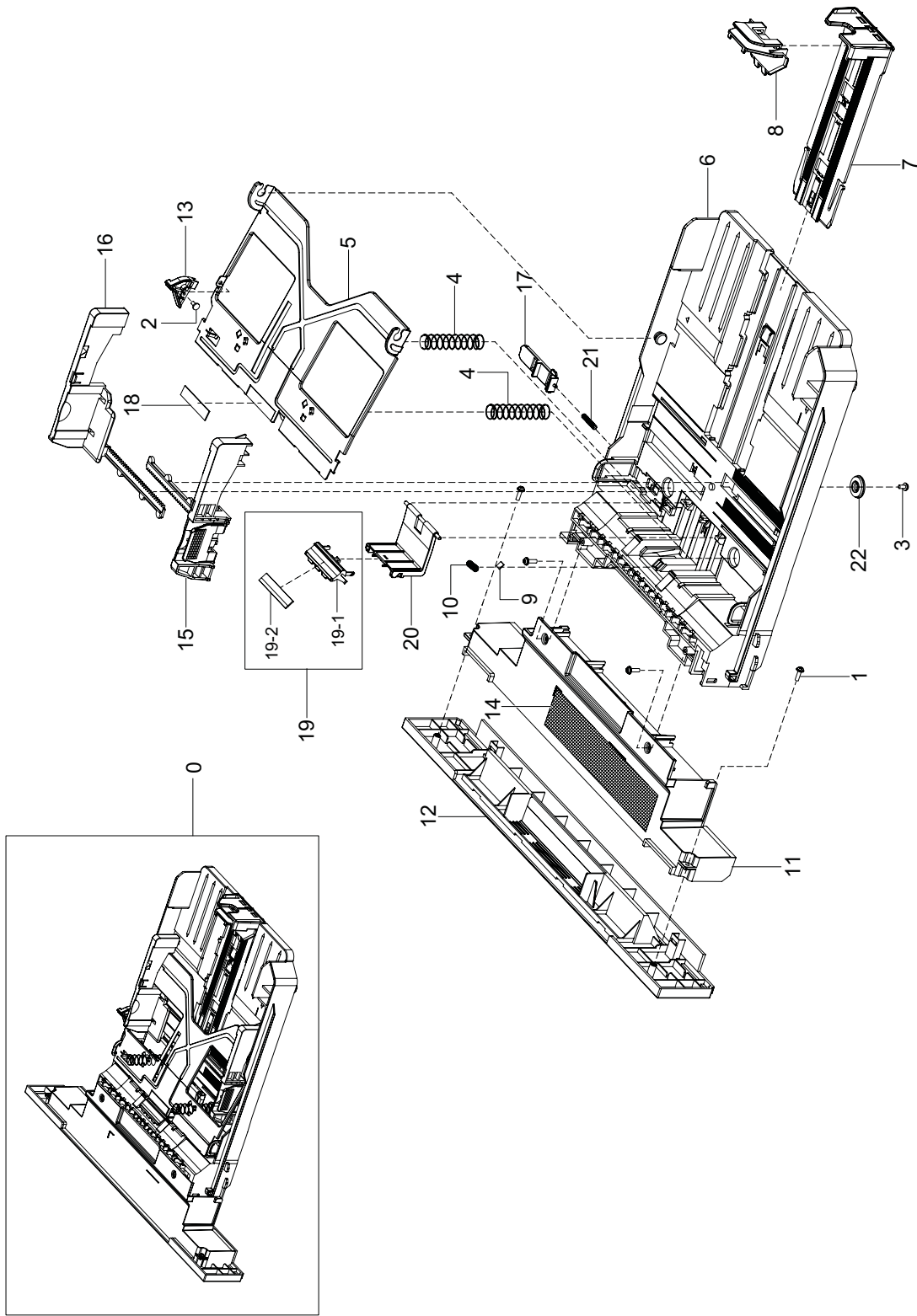
MEA UNIT-STACKER TX Parts List

SA : SERVICE AVAILABLE, SNA : SERVICE not AVAILABLE

Drawing#	Dell_code	SEC_code	Description	Qty	Service	Remark
0		JC97-03421A	MEA UNIT-STACKER TX	1	SNA	
1		6003-000196	SCREW-TAPTITE	3	SNA	
2		6003-000282	SCREW-TAPTITE	2	SNA	
3		JC61-02532A	GUIDE-DOCU L	1	SNA	
4		JC61-02533A	GUIDE-DOCU R	1	SNA	
5		JC63-01822A	COVER-RACK	1	SNA	

Drawing#	Dell_code	SEC_code	Description	Qty	Service	Remark
6		JC63-01835A	COVER-STACKER TX	1	SNA	
7		JC66-01786A	SLIDER-DOCU GUIDE	2	SNA	
8		JG66-40003A	GEAR-PINION	1	SNA	
9		JC66-02103A	DAMPER-STACKER REAR	1	SNA	
10		JC66-02104A	DAMPER-STACKER FRONT	1	SNA	

8. CASSETTE



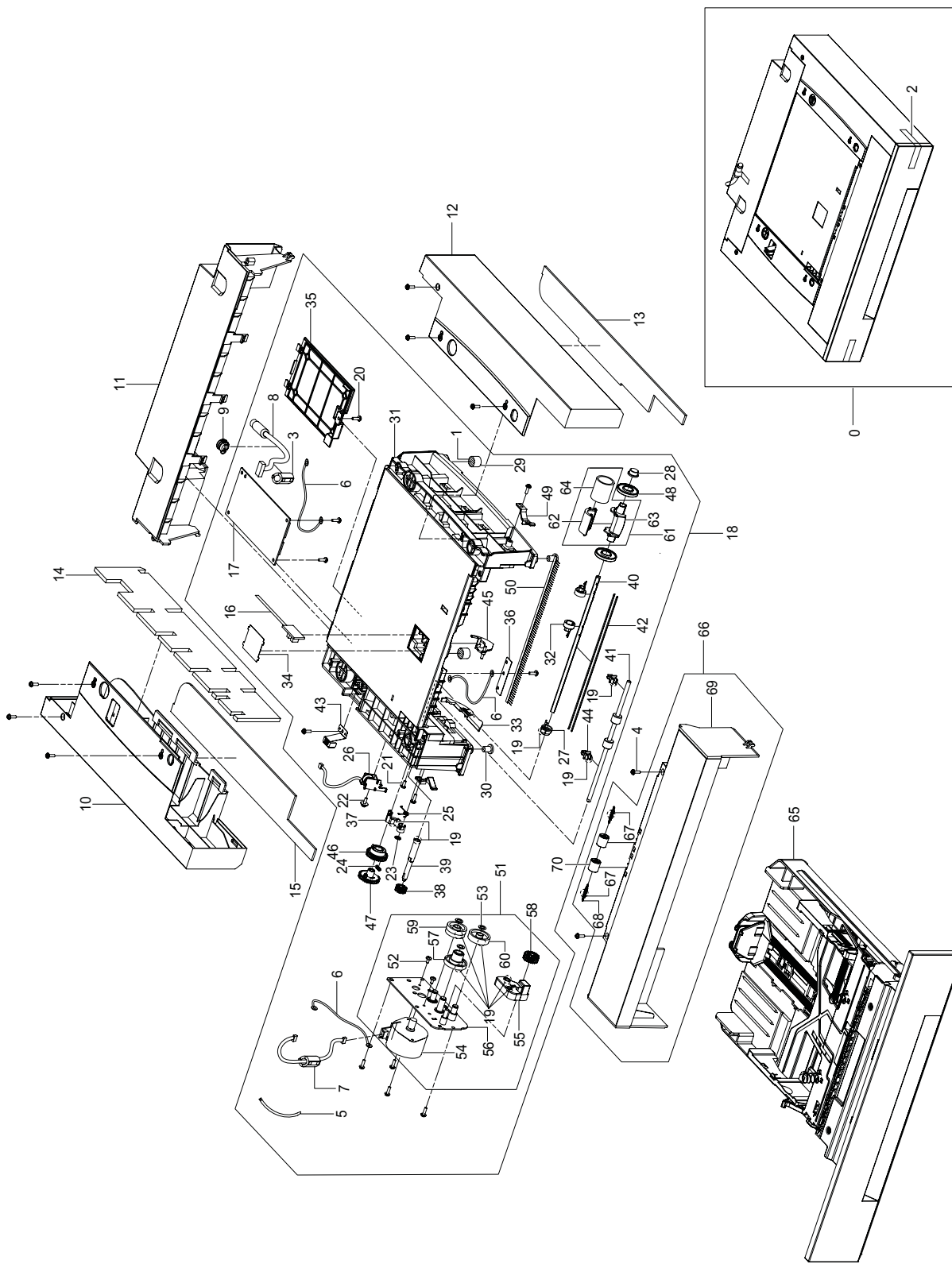
CASSETTE Parts List

SA : SERVICE AVAILABLE, SNA : SERVICE not AVAILABLE

Drawing#	Dell_code	SEC_code	Description	Qty	Service	Remark
0		JC97-03277A	MEA UNIT-CASSETTE	1	SA	
1		6003-000196	SCREW-TAPTITE	4	SNA	
2		6003-000261	SCREW-TAPTITE	1	SNA	
3		6003-000264	SCREW-TAPTITE	1	SNA	
4		6107-001166	SPRING-CS	2	SNA	
5		JC61-00603A	PLATE-P-KNOCK_UP	1	SNA	
6		JC61-00876G	FRAME-M_CASSETTE	1	SNA	
7		JC61-02740A	GUIDE-EXTENSION L	1	SNA	
8		JC61-00960A	GUIDE-M-EXTEND S_DELL	1	SNA	
9		JC61-01692A	SUPPORT-HOLDER PAD	1	SNA	
10		JC61-70911A	SPRING ETC-EXIT ROLL FD	1	SNA	
11		JC63-01806A	COVER-CST DUMMY	1	SNA	
12		JC63-01836A	COVER-SUB CASSETTE	1	SNA	

Drawing#	Dell_code	SEC_code	Description	Qty	Service	Remark
13		JC66-00719A	CAM-M-KNOCK UP	1	SNA	
14		JC68-02150A	LABEL-CAUTION	1	SNA	
15		JC70-00300G	ADJUST-M-CST L_DELL	1	SNA	
16		JC70-00301G	ADJUST-M-CST R_DELL	1	SNA	
17		JC72-00972A	PMO-PLATE_LOCKER	1	SNA	
18		JC73-00141A	RPR-PAD CASSETTE	1	SNA	
19		JC97-03439A	MEA UNIT-HOLDER PAD	1	SNA	
19-1		JC61-02733A	HOLDER-PAD	1	SNA	
19-2		JC73-00140A	RPR-FRICTION PAD	1	SNA	
20		JC61-01978A	HOUSING-HOLDER PAD	1	SNA	
21		JG61-70531A	SPRING ETC-LOCKER,PLATE	1	SNA	
22		JG66-40003A	GEAR-PINION	1	SNA	

9. ELA HOU-SCF



ELA HOU-SCF Parts List

SA : SERVICE AVAILABLE, SNA : SERVICE not AVAILABLE

Drawing#	Dell_code	SEC_code	Description	Qty	Service	Remark
0	HT234	JC96-05180A	ELA HOU-SCF	1	SA	
1		3301-001635	CORE-FERRITE	1	SNA	
2		6003-000196	SCREW-TAPTITE	8	SNA	
3		6501-000004	CABLE TIE	1	SNA	
4		JC39-00366A	CBF HARNESS-SCF GND	3	SNA	
5		JC39-01003A	HARNESS-DUPLEX MOTOR	1	SNA	
6		JC39-01012A	HARNESS-SCF	1	SNA	
7		JC61-00804A	BUSH-CABLE	1	SNA	
8		JC63-01815A	COVER-LEFT SCF	1	SNA	
9		JC63-01824A	COVER-REAR SCF	1	SNA	
10		JC63-01825A	COVER-RIGHT SCF	1	SNA	
11		JC72-01468A	SPONGE-SCF R	1	SNA	
12		JC72-01469A	SPONGE-SCF L1	1	SNA	
13		JC72-01470A	SPONGE-SCF L2	1	SNA	
14		JC92-01799B	PBA-SUB_SCF_EMP	1	SNA	
15		JC92-02034B	PBA-SCF	1	SNA	
16		JC96-05190A	ELA HOU-FRAME SCF	1	SNA	
17		6003-000196	SCREW-TAPTITE	11	SNA	
18		6003-000282	SCREW-TAPTITE	1	SNA	
19		6006-001078	SCREW-TAPTITE	1	SNA	
20		6044-000001	RING-CS	1	SNA	
21		6107-001167	SPRING-CS	1	SNA	
22		6107-001170	SPRING-TS	1	SNA	
23		JC33-00025B	SOLENOID-MANUAL	1	SNA	
24		JC61-00586A	BUSH-M-PICK_UP L	1	SNA	
25		JC61-00587A	BUSH-M-PICK_UP R	1	SNA	
26		JC61-00835A	FOOT-BACK	2	SNA	
27		JC61-00836A	FOOT-FRONT	2	SNA	
28		JC61-00877G	FRAME-M_SCF	1	SNA	
29		JC61-00915A	STOPPER-M-PICK_UP_R2	2	SNA	

Drawing#	Dell_code	SEC_code	Description	Qty	Service	Remark
30		JC61-00937A	GUIDE-M-KNOCK UP	1	SNA	
31		JC63-00369A	SHEET-COVER SENSOR	1	SNA	
32		JC63-00492D	COVER-M_SIMM	1	SNA	
33		JC63-00527A	SHEET-BRUSH	1	SNA	
34		JC66-00377A	CAM-M-PICK_UP	1	SNA	
35		JC66-00394A	GEAR-FEED 2	1	SNA	
36		JC66-00398A	SHAFT-FEED	1	SNA	
37		JC66-00399A	SHAFT-P-PICK_UP	1	SNA	
38		JC66-00598A	ROLLER-FEED	1	SNA	
39		JC66-00720A	SHAFT-P-CORE	2	SNA	
40		JC70-11028A	IPR-GROUND TOP	1	SNA	
41		JC72-00382B	PMO-BUSHING FEED	2	SNA	
42		JC72-00975A	PMO-ACTUATOR EMPTY	1	SNA	
43		JC72-00979A	PMO-GEAR PICK_UP A	1	SNA	
44		JC72-00980A	PMO-GEAR PICK_UP B	1	SNA	
45		JC72-00982A	PMO-IDLE PICK_UP	2	SNA	
46		JC72-00983A	PMO-LOCKER CST	2	SNA	
47		JC75-00095A	MEC-BRUSH ANTISTATIC	0.25	SNA	
48		JC96-05140A	ELA HOU-MOTOR SCF	1	SNA	
49		6001-000131	SCREW-MACHINE	2	SNA	
50		6031-000023	WASHER-PLAIN	3	SNA	
51		JC31-00084B	MOTOR STEP	1	SNA	
52		JC61-00878A	BRACKET-M_FEED SCF	1	SNA	
53		JC61-00881A	BRACKET-P_GEAR SCF	1	SNA	
54		JC66-00389A	GEAR-RDCN 57/18	1	SNA	
55		JC66-00396A	GEAR-IDLE 23	1	SNA	
56		JC66-00688A	GEAR-61/47 IDLE	1	SNA	
57		JC66-00690A	GEAR-35 IDLE	1	SNA	
58		JC97-01926A	MEA UNIT-PICK UP	1	SNA	
59		JC61-00909A	HOUSING-M-PICK_UP_R2	1	SNA	

ELA HOU-SCF Parts List

SA : SERVICE AVAILABLE, SNA : SERVICE not AVAILABLE

Drawing#	Dell_code	SEC_code	Description	Qty	Service	Remark
60		JC61-00910A	HOUSING-M-PICK UP2_R2	1	SNA	
61		JC72-01231A	SPONGE-ROLLER PICK_UP	1	SNA	
62		JC97-03278A	MEA UNIT-CASSETTE SCF	1	SNA	
63		JC97-03280A	MEA-COVER FRONT SCF	1	SNA	

Drawing#	Dell_code	SEC_code	Description	Qty	Service	Remark
64		6107-001047	SPRING-ES	2	SNA	
65		JC63-01813A	COVER-FRONT SCF	1	SNA	
66		JC66-00529A	ROLLER-M-IDLE FEED	2	SNA	